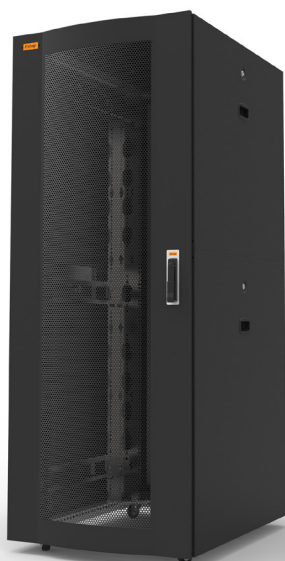
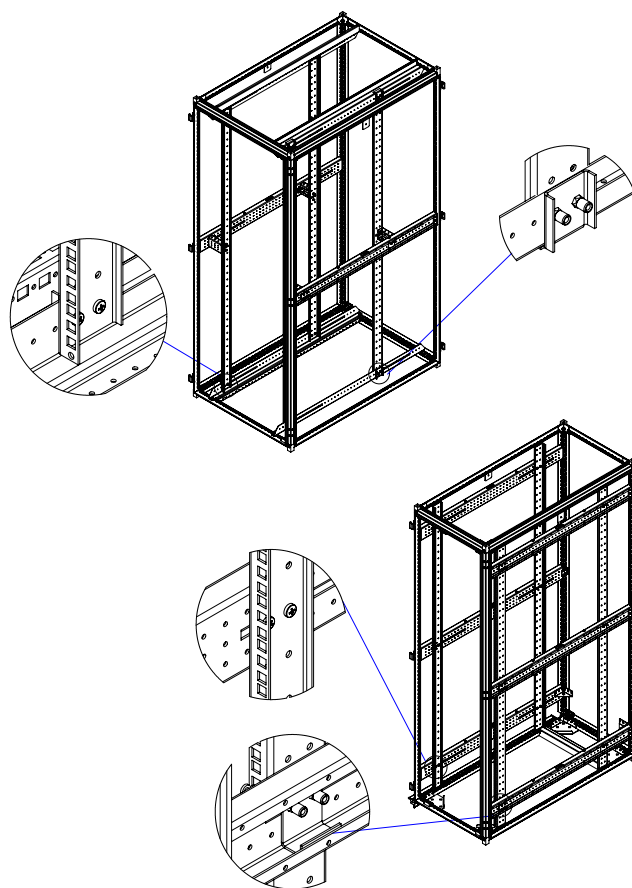


# DCMAX DATA CENTER CABINETS



## 1. GENERAL CHARACTERISTICS

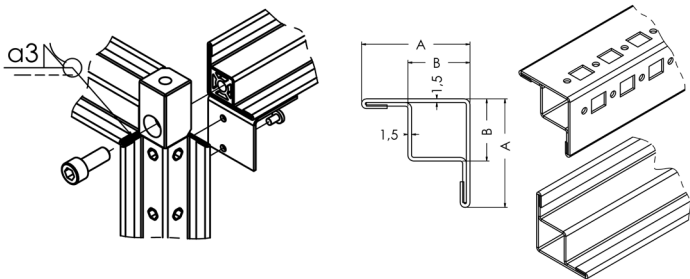
- IP20 protection level for cooling performance.
- 80% perforated front/rear doors for best air circulation.
- Heavy duty structure, 1500kg load carrying capacity.
- Wide Range of cabinet sizes and accessories.  
Dimensions: 42/45/47U 600 or 800x1000/1100/1200 mm.
- Ready for cold / hot corridor containment.
- Ample variety of accessories.
- Maximum inner space for servers.
- Professional cable management on top, bottom and inner of cabinet.
- Compatibility with all vendors' servers.
- High technical performance; grounding continuity.
- Aesthetic and professional view.
- Overhead cable trays separate electrical and data cables.
- 2 and 3 section Co-Location cabinets.
- By using cable rings, airflow is improved, installation time and cost is reduced. It creates space savings and flexibility inside the cabinet.
- Passed Belcore Zone 4 earthquake test with 1000kg. load.
- With special design of side frames, you can move the 19" mounting rails while equipments loaded.
- Simply the raceway for cables are created by fixing cable rings on all profiles in front and rear part of the cabinets.
- Easy movable 19" profiles, to front/rear and to left/right.



# DCMAX DATA CENTER CABINETS

## 2. TECHNICAL CHARACTERISTICS

### 2.1. MAIN STRUCTURE



### 2.2. FRONT DOOR

**Structure:**

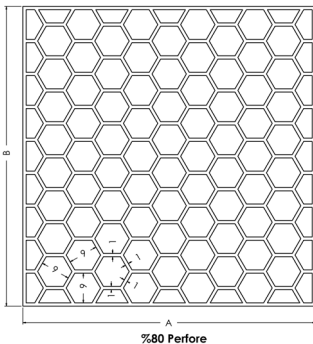
- Produced from galvanised sheet metal.
- The curved door has %80 perforations to have a good air flow.
- Provides enough space for patch cords between door and equipment.
- Can open 130°.

**Locking Mechanism:**

3 point lock, handle with semi cylindrical barrel of EMKA.

**Hinge System:**

3 pcs Zinc alloy Steel to fix the door.



### 2.3. SIDE PANEL

**Structure:**

- Produced from DKP sheet metal.
- Thickness is 1 mm.
- Fixed to cabinet by cylindrical lock.
- 2 pcs in one side.

### 2.4. REAR DOOR

**Structure:**

- Produced from DKP sheet metal.
- The flat door has 80% perforations to have a good air flow.
- Can open 130°.

**Locking Mechanism:**

3 point lock, handle with semi cylindrical barrel of EMKA

**Hinge System:**

3 pcs Zinc alloy Steel to fix the door.

### 2.5. ROOF

**Structure:**

- Produced from DKP sheet metal.
- Suitable to fan module fixing.
- Plenty of cable entry possibility.
- Brush type cable entries.

## 3. TESTS AND COMPLIED STANDARDS

**Environment:**

EN61587-1/4.2, IEC60068-2-1, IEC60068-2-2, IEC60068-2-30, IEC60917 and IEC60297

**Industrial enviroment:**

EN61587-1/4.3, IEC60068-2-42, IEC60068-2-43 and IEC60068-2-49, IEC60068-2-1, IEC60917 and IEC60297

**Statical mechanical structure load test:**

EN61587-1 / 5.2.1, IEC60917 and IEC60297

**Statical mechanical structure stability:**

EN61587-1 / 5.2.2, IEC60917 and IEC60297

**Dynamic load, vibration and mechanical stroke:**

EN61587-1 / 5.3.1, EN61587-1 / 5.3.3, IEC60917, IEC60297, IEC62208

**Grounding continuity:**

EN 61587-1 / 6.2, IEC 60917, IEC 60297 and IEC 61010-1

**Fire and flame resistance:**

EN61587-1 / 6.3, IEC60917 and IEC60297

**Corrosion:**

ISO9227 and ASTM B 117-85, IEC60917 and IEC60297

**IP protection degree:**

EN 61587-1 / 6.4, IEC 60529, IEC 60917 and IP20 according to IEC 60297

**Carrying:**

ETS300019-1-2 Class 2.3

**Loading:**

ETS300019-1-1 Class 1.2

**Security:**

EN60950\_LVD

**Loading Capacity:**

1500 kg static load. Passed earthquake test with 1000kg. (BELLCORE GR-63-CORE ZONE 4, NEBS requirements)

### PURCHASED PRODUCT CERTIFICATION

**Sheet steel:**

ISO 9001, DIN EN 10130 – 99 Ereğli DC- 01 6112, RoHS

**Electrostatic powder coating:**

ISO 9001, ISO 2178, ISO 2813, ISO 6272, ISO 8130-5, ISO 8130-3, RoHS, Reach, ISO 8130-1, ISO 8130, ISO 1519, ISO 1520, ISO 2815, ISO 2409

**Fan:**

ISO 9001, CE (89/336/EEC EMC, 73/23/EEC LVD), RoHS

**Glass:**

ISO 9001, EN 12150 – 1 : 2000 (tempered/security glass)

**Fixing units (screw, washer, nut, etc):**

DIN 7985, DIN 965, DIN 7981, DIN 934, DIN 985, DIN 933, RoHS

**Casters:**

ISO 9001, TS EN 12530, TS EN 12532, RoHS

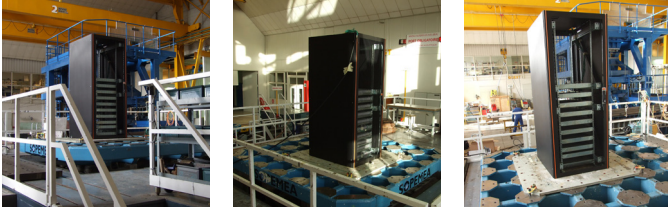
**Lock:**

DIN 1743, DIN 53571, RoHS

# DCMAX DATA CENTER CABINETS

## 4. SEISMIC TEST REPORT

BELLCORE Seismic Test shows us, the cabinet is how durable against vibration and movement.



BELLCORE GR-63-CORE zone 4 (NEBS requirements) TEST HAS BEEN PASSED WITH 1000kg!

### 4.1. Resonance Frequency Test

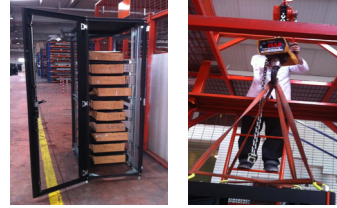
Date	Axis	Program	Duration	Graph No	Comments
21/01/10	Z	A	6 min.	1 to 14	Nothing to report
21/01/10	X	A	6 min.	15 to 28	Nothing to report
21/01/10	Y	A	6 min.	29 to 42	Nothing to report

### 4.2. Earthquake Resistance Test

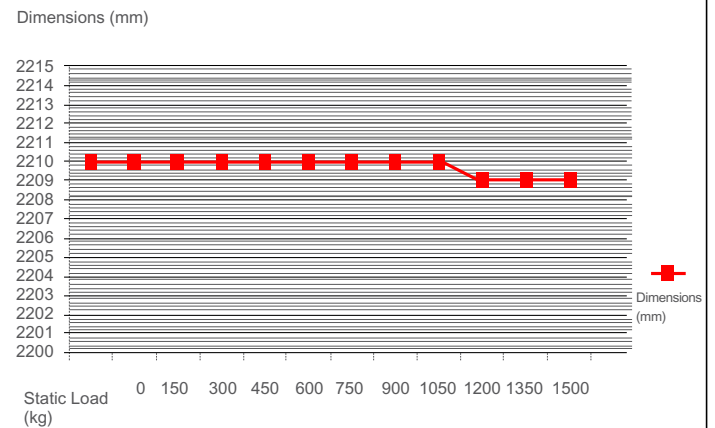
Date	Axis	Program	Duration	Graph No	Comments
22/01/10	Z	B	30 s	A 43 to 68	Nothing to report. No damage was observed on each tested part.
22/01/10	X	B	30 s	B 69 to 94	Nothing to report. No damage was observed on each tested part.
22/01/10	Y	B	30 s	C 95 to 120	Remark: during test, opening of the front mesh door and the rear mesh door. See video. Deformation of the front mesh door of the cabinet. Deformation of the rear mesh door closing linkage. It is noted deformations inside the cabinet on recoveries of the 4 pillars. ESTAP informed SOPEMEA that door are not a relevant tested part (only for integration of cabinet for test process) Cracks on 2nd and 3rd rack. Deformation of vertical pillar on the 1st and 2nd rack. It's not broken, no cracks are detected. No deformation on the outer structure of the cabinet (out of mesh doors).

## LOAD CARRYING CAPACITY TEST

1500kg Static Load to fix your equipments without any hesitation.



Diagonal Dimensions of ESTAP DCMAX Data Center Cabinet at Each Static Load



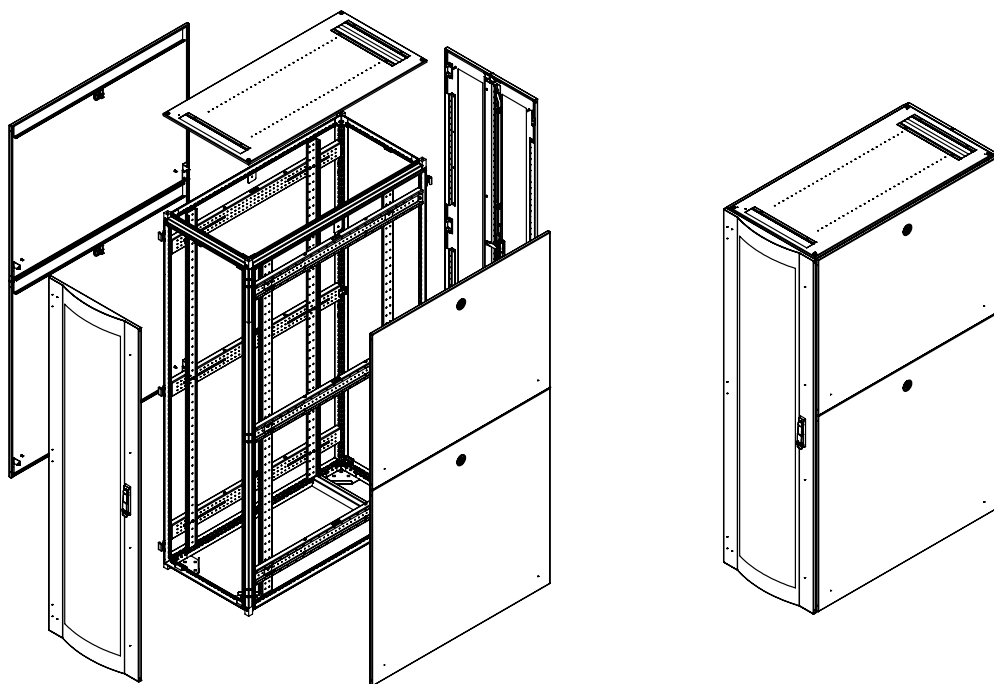
Thanks to the special structure and design, Estap DcMax cabinets can carry 1500kg static load.

## DCMAX DATA CENTER CABINETS

### 5. DIMENSIONS

#### 5.1. W: 600 MM CABINETS, SINGLE FRONT DOOR - DOUBLE REAR DOOR

Single Opening, Curved, 80% Perforated Front Door; Double Opening, 80% Perforated Rear Door.



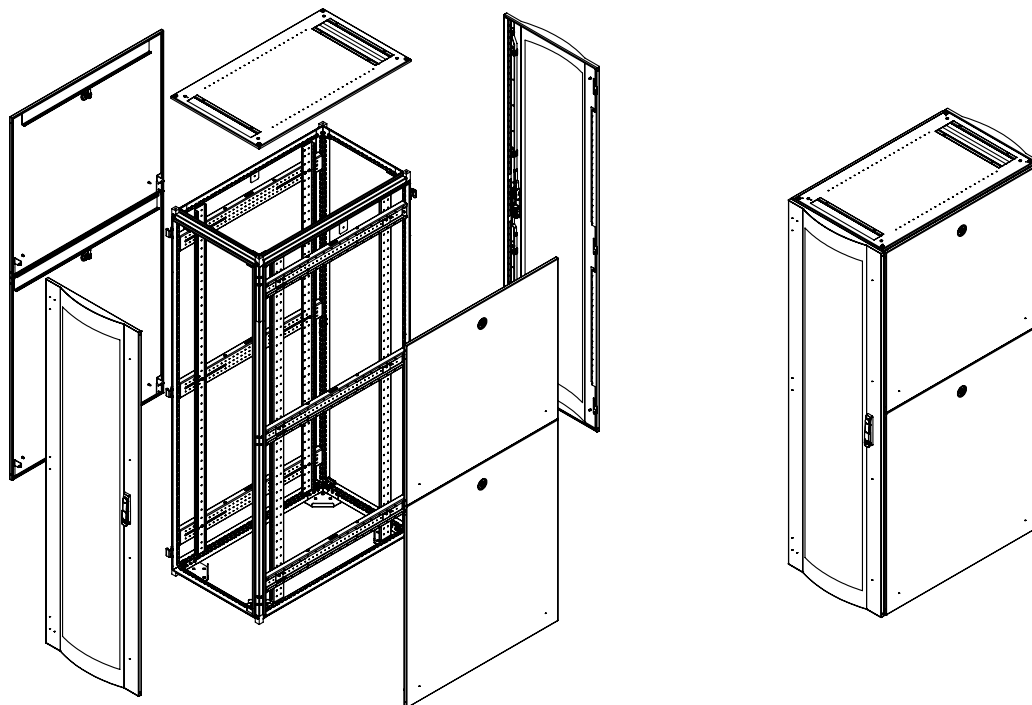
PRODUCT REFERENCE	DESCRIPTION	DIMENSIONS W x H x D (mm)
DC42U6010_M50_SVF80DVR80	19" 42U, 600x1000mm DcMAX, %80 Perforated, Single Opening Front and Double Opening Rear Doors	600x1990x1000
DC42U6011_M50_SVF80DVR80	19" 42U, 600x1100mm DcMAX, %80 Perforated, Single Opening Front and Double Opening Rear Doors	600x1990x1100
DC42U6012_M50_SVF80DVR80	19" 42U, 600x1200mm DcMAX, %80 Perforated, Single Opening Front and Double Opening Rear Doors	600x1990x1200
DC45U6010_M50_SVF80DVR80	19" 45U, 600x1000mm DcMAX, %80 Perforated, Single Opening Front and Double Opening Rear Doors	600x2140x1000
DC45U6011_M50_SVF80DVR80	19" 45U, 600x1100mm DcMAX, %80 Perforated, Single Opening Front and Double Opening Rear Doors.	600x2140x1100
DC45U6012_M50_SVF80DVR80	19" 45U, 600x1200mm DcMAX, %80 Perforated, Single Opening Front and Double Opening Rear Doors	600x2140x1200
DC47U6010_M50_SVF80DVR80	19" 47U, 600x1000mm DcMAX, %80 Perforated, Single Opening Front and Double Opening Rear Doors	600x2240x1000
DC47U6011_M50_SVF80DVR80	19" 47U, 600x1100mm DcMAX, %80 Perforated, Single Opening Front and Double Opening Rear Doors	600x2240x1100
DC47U6012_M50_SVF80DVR80	19" 47U, 600x1200mm DcMAX, %80 Perforated, Single Opening Front and Double Opening Rear Doors.	600x2240x1200

Note: Color code "M50" is RAL 9005 black, "M2" RAL 7035 light grey option is available

## DCMAX DATA CENTER CABINETS

### 5.2. W: 600 MM CABINETS, SINGLE FRONT DOOR - SINGLE REAR DOOR

Single Opening, Curved, 80% Perforated Front Door; Single Opening, 80% Perforated Rear Door.



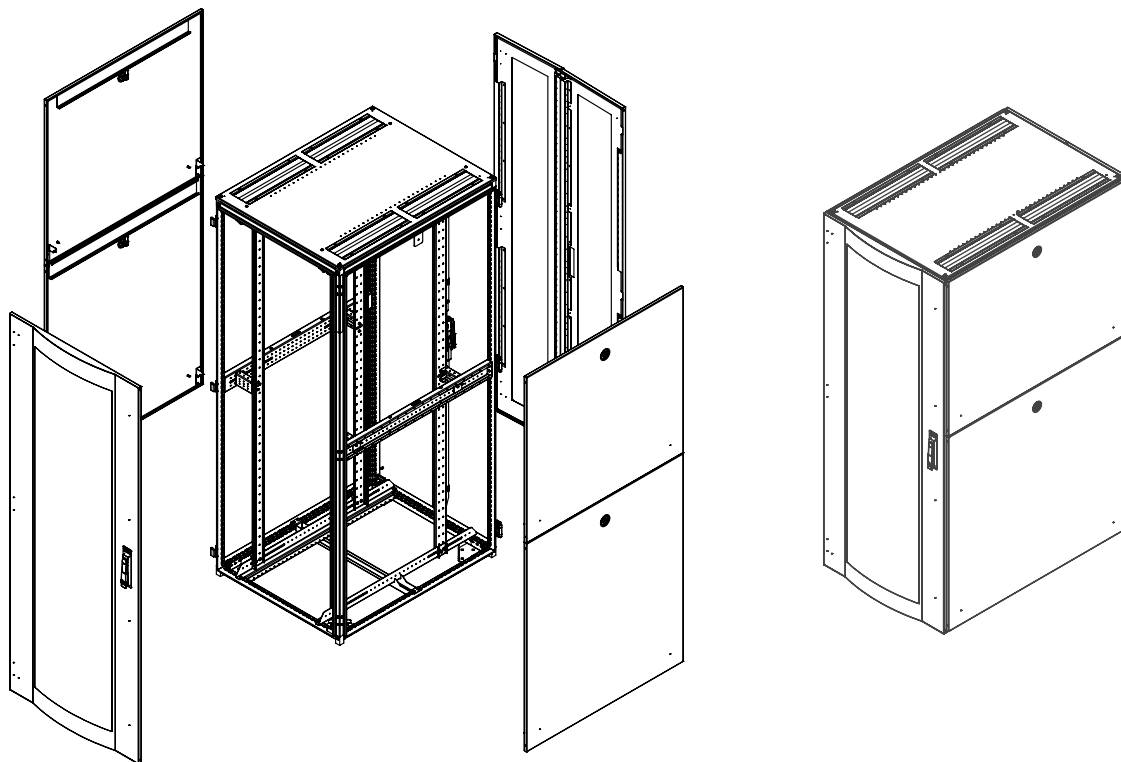
PRODUCT REFERENCE	DESCRIPTION	DIMENSIONS W x H x D (mm)
DC42U6010_M50_SVF80SVR80	19" 42U, 600x1000mm DcMAX, %80 Perforated, Single Opening Front and Rear Doors.	600x1990x1000
DC42U6011_M50_SVF80SVR80	19" 42U, 600x1100mm DcMAX, %80 Perforated, Single Opening Front and Rear Doors.	600x1990x1100
DC42U6012_M50_SVF80SVR80	19" 42U, 600x1200mm DcMAX, %80 Perforated, Single Opening Front and Rear Doors.	600x1990x1200
DC45U6010_M50_SVF80SVR80	19" 45U, 600x1000mm DcMAX, %80 Perforated, Single Opening Front and Rear Doors.	600x2140x1000
DC45U6011_M50_SVF80SVR80	19" 45U, 600x1100mm DcMAX, %80 Perforated, Single Opening Front and Rear Doors.	600x2140x1100
DC45U6012_M50_SVF80SVR80	19" 45U, 600x1200mm DcMAX, %80 Perforated, Single Opening Front and Rear Doors.	600x2140x1200
DC47U6010_M50_SVF80SVR80	19" 47U, 600x1000mm DcMAX, %80 Perforated, Single Opening Front and Rear Doors.	600x2240x1000
DC47U6011_M50_SVF80SVR80	19" 47U, 600x1100mm DcMAX, %80 Perforated, Single Opening Front and Rear Doors.	600x2240x1100
DC47U6012_M50_SVF80SVR80	19" 47U, 600x1200mm DcMAX, %80 Perforated, Single Opening Front and Rear Doors.	600x2240x1200

Note: Color code "M50" is RAL 9005 black, "M2" RAL 7035 light grey option is available

## DCMAX DATA CENTER CABINETS

### 5.3. W: 800 MM CABINETS, SINGLE FRONT DOOR - DOUBLE REAR DOOR

Single Opening, Curved, 80% Perforated Front Door; Double Opening, 80% Perforated Rear Door.



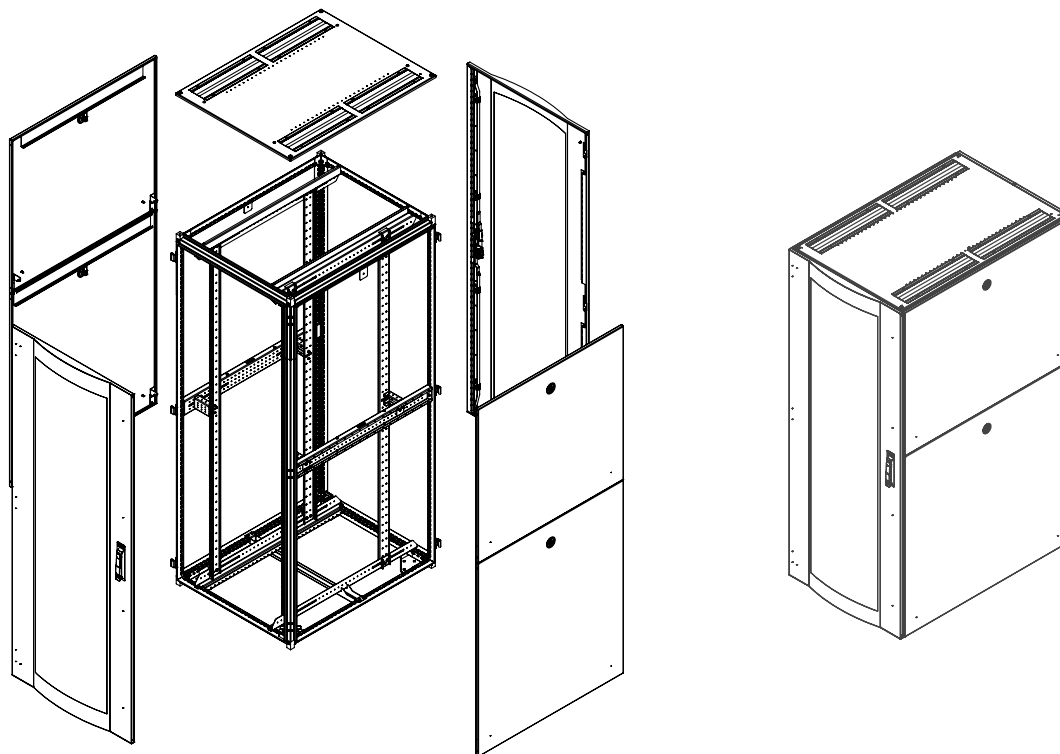
PRODUCT REFERENCE	DESCRIPTION	DIMENSIONS W x H x D (mm)
DC42U8010_M50_SVF80DVR80	19" 42U, 800x1000mm DcMAX, %80 Perforated, Single Opening Front and Double Opening Rear Doors	800x1990x1000
DC42U8011_M50_SVF80DVR80	19" 42U, 800x1100mm DcMAX, %80 Perforated, Single Opening Front and Double Opening Rear Doors	800x1990x1100
DC42U8012_M50_SVF80DVR80	19" 42U, 800x1200mm DcMAX, %80 Perforated, Single Opening Front and Double Opening Rear Doors	800x1990x1200
DC45U8010_M50_SVF80DVR80	19" 45U, 800x1000mm DcMAX, %80 Perforated, Single Opening Fron and Double Opening Rear Doors	800x2140x1000
DC45U8011_M50_SVF80DVR80	19" 45U, 800x1100mm DcMAX, %80 Perforated, Single Opening Front and Double Opening Rear Doors	800x2140x1100
DC45U8012_M50_SVF80DVR80	19" 45U, 800x1200mm DcMAX, %80 Perforated, Single Opening Fron and Double Opening Rear Doors	800x2140x1200
DC47U8010_M50_SVF80DVR80	19" 47U, 800x1000mm DcMAX, %80 Perforated, Single Opening Front and Double Opening Rear Doors	800x2240x1000
DC47U8011_M50_SVF80DVR80	19" 47U, 800x1100mm DcMAX, %80 Perforated, Single Opening Fron and Double Opening Rear Doors	800x2240x1100
DC47U8012_M50_SVF80DVR80	19" 47U, 800x1200mm DcMAX, %80 Perforated, Single Opening Front and Double Opening Rear Doors	800x2240x1200

Note: Color code "M50" is RAL 9005 black, "M2" RAL 7035 light grey option is available

## DCMAX DATA CENTER CABINETS

### 5.4. W: 800 MM CABINETS, SINGLE FRONT DOOR - SINGLE REAR DOOR

Single Opening, Curved, 80% Perforated Front Door; Single Opening, 80% Perforated Rear Door.



PRODUCT REFERENCE	DESCRIPTION	DIMENSIONS W x H x D (mm)
DC42U8010_M50_SVF80SVR80	19" 42U, 800x1000mm DcMAX, %80 Perforated, Single Opening Front and Rear Doors.	800x1990x1000
DC42U8011_M50_SVF80SVR80	19" 42U, 800x1100mm DcMAX, %80 Perforated, Single Opening Front and Rear Doors.	800x1990x1100
DC42U8012_M50_SVF80SVR80	19" 42U, 800x1200mm DcMAX, %80 Perforated, Single Opening Front and Rear Doors.	800x1990x1200
DC45U8010_M50_SVF80SVR80	19" 45U, 800x1000mm DcMAX, %80 Perforated, Single Opening Front and Rear Doors.	800x2140x1000
DC45U8011_M50_SVF80SVR80	19" 45U, 800x1100mm DcMAX, %80 Perforated, Single Opening Front and Rear Doors.	800x2140x1100
DC45U8012_M50_SVF80SVR80	19" 45U, 800x1200mm DcMAX, %80 Perforated, Single Opening Front and Rear Doors.	800x2140x1200
DC47U8010_M50_SVF80SVR80	19" 47U, 800x1000mm DcMAX, %80 Perforated, Single Opening Front and Rear Doors.	800x2240x1000
DC47U8011_M50_SVF80SVR80	19" 47U, 800x1100mm DcMAX, %80 Perforated, Single Opening Front and Rear Doors.	800x2240x1100
DC47U8012_M50_SVF80SVR80	19" 47U, 800x1200mm DcMAX, %80 Perforated, Single Opening Front and Rear Doors.	800x2240x1200

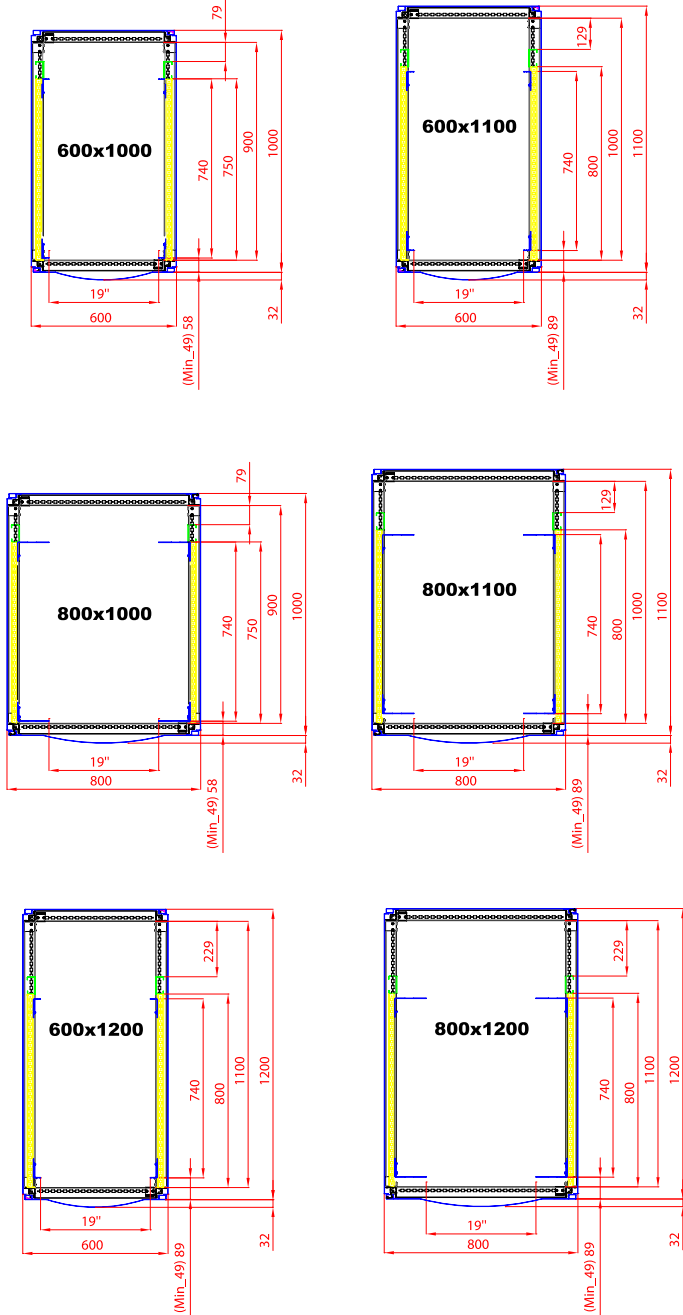
Note: Color code "M50" is RAL 9005 black, "M2" RAL 7035 light grey option is available

# DCMAX DATA CENTER CABINETS

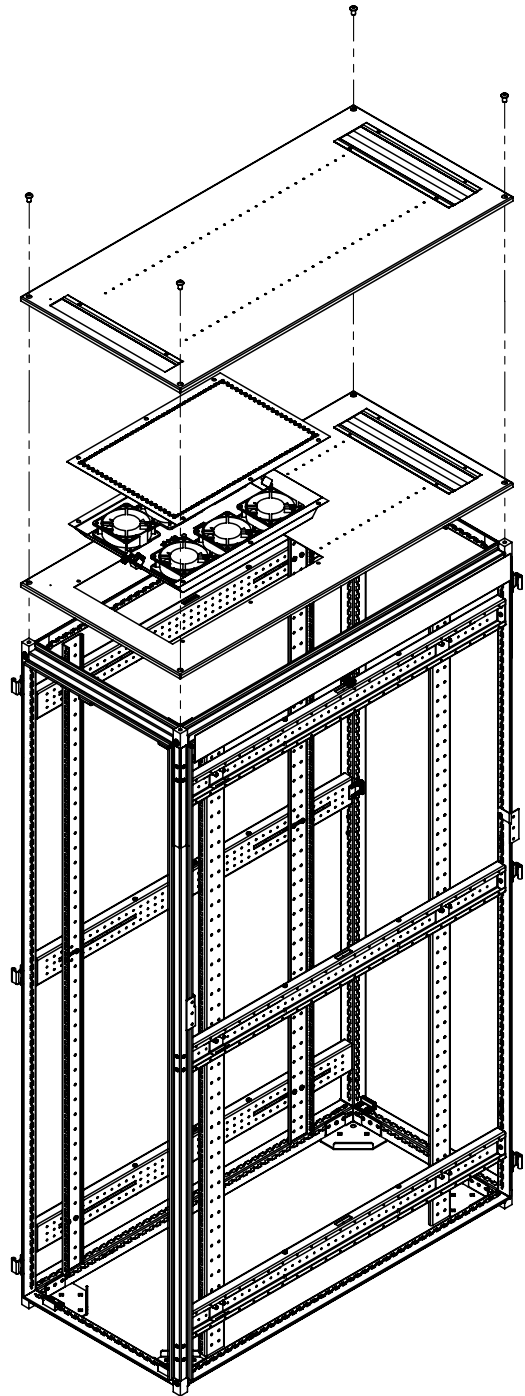
## 6. TECHNICAL DRAWINGS (mm)

### TOP VIEWS

Bellcore Seismic Test shows us, the cabinet is how durable against vibration and movement.



## ROOF OPTIONS

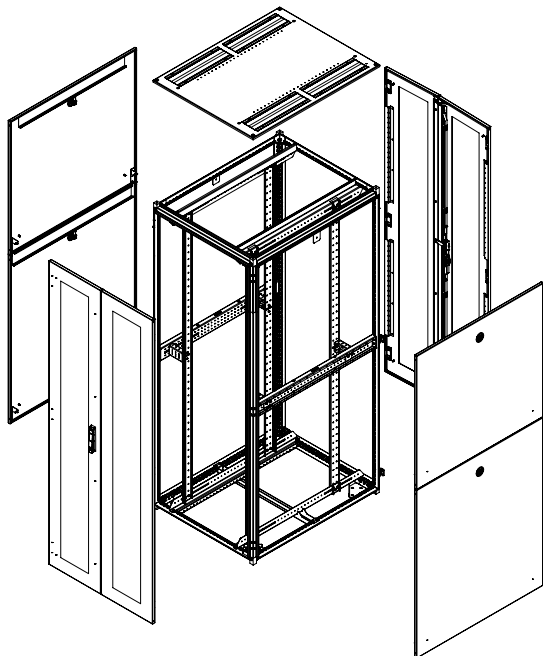




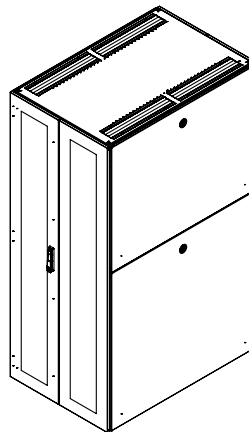
# DCMAX DATA CENTER CABINETS

## HIGH DENSITY CABLING CABINET

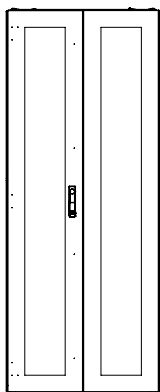
Professional cabinet solution for professional cabling.



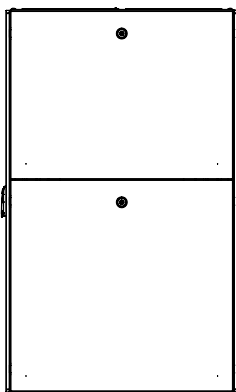
Exploded View



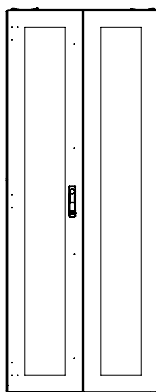
Iso View



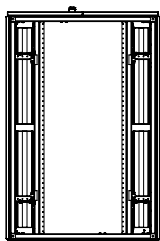
Front View



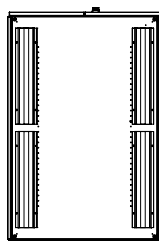
Side View



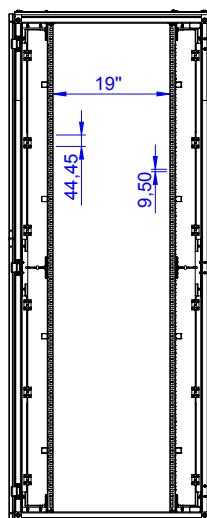
Back View



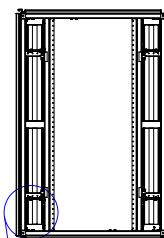
Top View



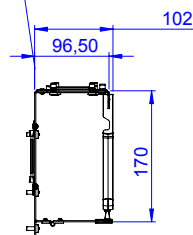
Bottom View



Front View



Top View



Organiser

## DCMAX DATA CENTER CABINETS



### 7. IP 55 CABINETS

Structure: Produced from DKP sheet metal

**Main body support closed form profile structure:** 1,5 mm

**Front and rear door:** 2 mm

**Top cover:** 1,5 mm

**Bottom panel:** 2 mm

**Side panels:** 1,5 mm

**Cable entry panel:** 1,2 mm

**Depth and modular mounting profile:** 1,5 mm

**19" device mounting uprights:** 1,5 mm

**Tempered glass:** 4 mm

**Surface finish:** Cabinet profiles, doors, covers and panels are electrostatic powder coating.

**Color:** RAL 7035 light grey or RAL 9005 black  
Mounting profile, cable entry, 19" device mounting profiles, C-profiles are made of galvanized material.

**IP Protection:**

IP55 according to EN 60529

IP55 protection with cast gasket.

**Shipment configuration:**

Main body structure, steel (1 pcs.)

Front door (1 pcs.) tempered glass, cast gasket inside metal frame

Rear door, cast gasket (1 pcs.)

Side panels, cast gasket (2 pcs.)

Top cover panel, cast gasket (1 pcs.)

Cable entry panels (3 pcs.= 1 set)

Door hinges (6 set)

The complementary lock can be from 3 point locking mechanism for the front and rear doors (2 set)

Grounding cables (for all the panels)

Fixings (1 set)

Plinth (1 set)

19" device mounting profiles (4 pcs.)

## DCMAX DATA CENTER CABINETS

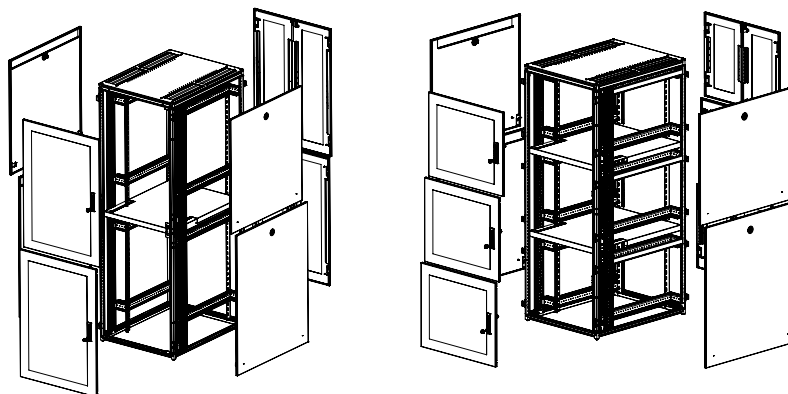
### 7. IP55 CABINETS

PRODUCT REFERENCE	DESCRIPTION	DIMENSIONS W x H x D (mm)
DC24U6060_M50_IP55	24U, 600x600mm, IP55, full glass frame front door, single front and rear doors	600x1200x600
DC32U6060_M50_IP55	32U, 600x600mm, IP55, full glass frame front door, single front and rear doors	600x1600x600
DC36U6060_M50_IP55	36U, 600x600mm, IP55, full glass frame front door, single front and rear doors	600x1800x600
DC42U6060_M50_IP55	42U, 600x600mm, IP55, full glass frame front door, single front and rear doors	600x2000x600
DC47U6060_M50_IP55	47U, 600x600mm, IP55, full glass frame front door, single front and rear doors	600x2200x600
DC24U6080_M50_IP55	24U, 600x800mm, IP55, full glass frame front door, single front and rear doors	600x1200x800
DC32U6080_M50_IP55	32U, 600x800mm, IP55, full glass frame front door, single front and rear doors	600x1600x800
DC36U6080_M50_IP55	36U, 600x800mm, IP55, full glass frame front door, single front and rear doors	600x1800x800
DC42U6080_M50_IP55	42U, 600x800mm, IP55, full glass frame front door, single front and rear doors	600x2000x800
DC47U6080_M50_IP55	47U, 600x800mm, IP55, full glass frame front door, single front and rear doors	600x2200x800
DC24U6010_M50_IP55	24U, 600x1000mm, IP55, full glass frame front door, single front and rear doors	600x1200x1000
DC32U6010_M50_IP55	32U, 600x1000mm, IP55, full glass frame front door, single front and rear doors	600x1600x1000
DC36U6010_M50_IP55	36U, 600x1000mm, IP55, full glass frame front door, single front and rear doors	600x1800x1000
DC42U6010_M50_IP55	42U, 600x1000mm, IP55, full glass frame front door, single front and rear doors	600x2000x1000
DC47U6010_M50_IP55	47U, 600x1000mm, IP55, full glass frame front door, single front and rear doors	600x2200x1000
DC24U8080_M50_IP55	24U, 800x800mm, IP55, full glass frame front door, single front and rear doors	800x1200x800
DC32U8080_M50_IP55	32U, 800x800mm, IP55, full glass frame front door, single front and rear doors	800x1600x800
DC36U8080_M50_IP55	36U, 800x800mm, IP55, full glass frame front door, single front and rear doors	800x1800x800
DC42U8080_M50_IP55	42U, 800x800mm, IP55, full glass frame front door, single front and rear doors	800x2000x800
DC47U8080_M50_IP55	47U, 800x800mm, IP55, full glass frame front door, single front and rear doors	800x2200x800
DC24U8010_M50_IP55	24U, 800x1000mm, IP55, full glass frame front door, single front and rear doors	800x1200x1000
DC32U8010_M50_IP55	32U, 800x1000mm, IP55, full glass frame front door, single front and rear doors	800x1600x1000
DC36U8010_M50_IP55	36U, 800x1000mm, IP55, full glass frame front door, single front and rear doors	800x1800x1000
DC42U8010_M50_IP55	42U, 800x1000mm, IP55, full glass frame front door, single front and rear doors	800x2000x1000
DC47U8010_M50_IP55	47U, 800x1000mm, IP55, full glass frame front door, single front and rear doors	800x2200x1000

## DCMAX DATA CENTER CABINETS

### 8. CO-LOCATION CABINETS

Sometimes your equipments not fill much more than 10U or 20U. In this case you need Co-Location cabinets.



PRODUCT REFERENCE	DESCRIPTION	DIMENSIONS W x H x D (mm)
DC42U8010_M50_SVF80DVR80C2	42U 800X1000 mm, IP20, 80% perforated, single opening front and double opening rear doors, mechanical lock, black, co-location, 2 compartment	800x2000x1000
DC42U8011_M50_SVF80DVR80C2	42U 800X1100 mm, IP20, 80% perforated, single opening front and double opening rear doors, mechanical lock, black, co-location, 2 compartment	800x2000x1100
DC42U8012_M50_SVF80DVR80C2	42U 800X1200 mm, IP20, 80% perforated, single opening front and double opening rear doors, mechanical lock, black, co-location, 2 compartment	800x2000x1200
DC42U8010_M50_SVF80DVR80C3	42U 800X1000 mm, IP20, 80% perforated, single opening front and double opening rear doors, mechanical lock, black, co-location, 3 compartment	800x2000x1000
DC42U8011_M50_SVF80DVR80C3	42U 800X1100 mm, IP20, 80% perforated, single opening front and double opening rear doors, mechanical lock, black, co-location, 3 compartment	800x2000x1100
DC42U8012_M50_SVF80DVR80C3	42U 800X1200 mm, IP20, 80% perforated, single opening front and double opening rear doors, mechanical lock, black, co-location, 3 compartment	800x2000x1200
DC47U8010_M50_SVF80DVR80C2	47U 800X1000 mm, IP20, 80% perforated, single opening front and double opening rear doors, mechanical lock, black, co-location, 2 compartment	800x2200x1000
DC47U8011_M50_SVF80DVR80C2	47U 800X1100 mm, IP20, 80% perforated, single opening front and double opening rear doors, mechanical lock, black, co-location, 2 compartment	800x2200x1100
DC47U8012_M50_SVF80DVR80C2	47U 800X1200 mm, IP20, 80% perforated, single opening front and double opening rear doors, mechanical lock, black, co-location, 2 compartment	800x2200x1200
DC47U8010_M50_SVF80DVR80C3	47U 800X1000 mm, IP20, 80% perforated, single opening front and double opening rear doors, mechanical lock, black, co-location, 3 compartment	800x2200x1000
DC47U8011_M50_SVF80DVR80C3	47U 800X1100 mm, IP20, 80% perforated, single opening front and double opening rear doors, mechanical lock, black, co-location, 3 compartment	800x2200x1100
DC47U8012_M50_SVF80DVR80C3	47U 800X1200 mm, IP20, 80% perforated, single opening front and double opening rear doors, mechanical lock, black, co-location, 3 compartment	800x2200x1200

Note 1: W= 600 mm option is available

Note 2: Color code "M50" is RAL 9005 black, "M2" RAL 7035 light grey option is available

[www.estap.com.tr](http://www.estap.com.tr)

# DCMAX DATA CENTER CABINETS

## 9. ACCESSORIES

### 9.1. CABLE ENTRY

Brushed type cable entries with different dimensions.

#### Cable entry on the top panel

For the width 600 mm cabinets, there are 2 pieces;  
front one is 50 mm x 400 mm and rear one is 90 mm x 400 mm.

For the width 800 mm cabinets, there are 4 pieces;  
2 pieces on both sides.

The dimensions of the cable entries are different according to the depth of the cabinet.

For 1000 mm depth: 90 mm x 400 mm (x4)

For 1100 mm depth: 90 mm x 450 mm (x4)

For 1200 mm depth: 90 mm x 500 mm (x4)

#### Cable entry on the bottom panel

For the width 600 mm cabinets, there are 2 pieces;  
front one is 45 mm x 250 mm and rear one is 95 mm x 250 mm

For the width 800 mm cabinets, there are 5 pieces;  
2 pieces on both sides and 1 pcs. at the rear.

The dimensions of the cable entries are different according to the depth of the cabinet.

For 1000 mm depth: 90 mm x 300 mm (x4)

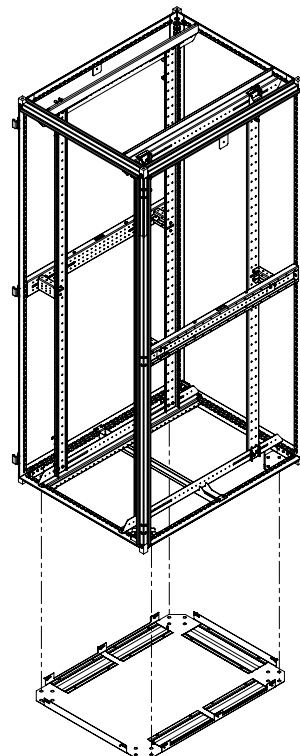
For 1100 mm depth: 90 mm x 350 mm (x4)

For 1200 mm depth: 90 mm x 400 mm (x4)

At the rear; 95 mm x 400 mm

### 9.2. BOTTOM PANEL

To close the bottom of the cabinet for dust protection.



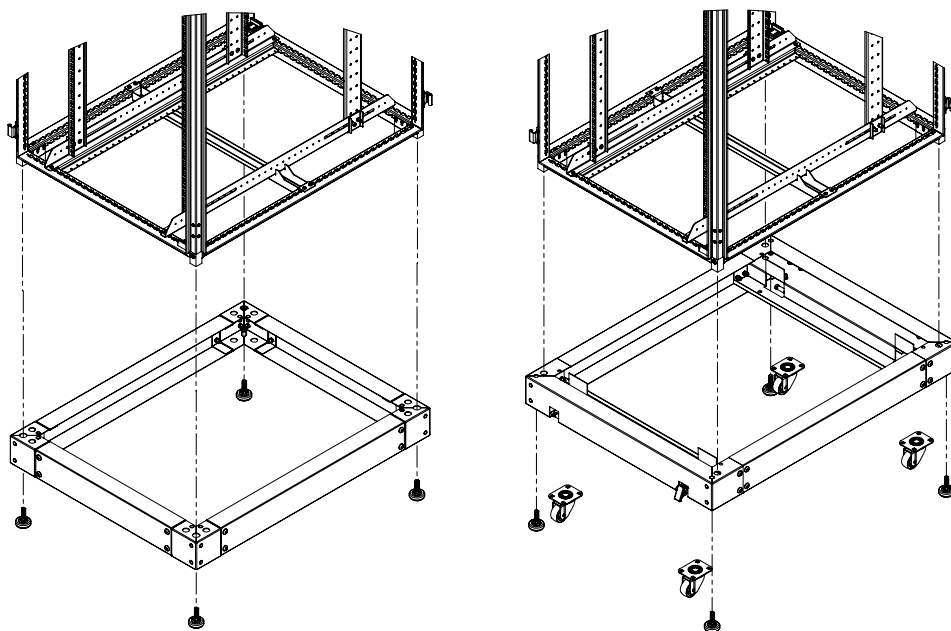
PRODUCT REFERENCE	DESCRIPTION	DIMENSIONS W x D (mm)
DCBP6010_M50	Bottom Panel, multiple cable entry plates, w=600 mm d=1000 mm	600x1000
DCBP6011_M50	Bottom Panel, multiple cable entry plates, w=600 mm d=1100 mm	600x1100
DCBP6012_M50	Bottom Panel, multiple cable entry plates, w=600 mm d=1200 mm	600x1200
DCBP8010_M50	Bottom Panel, multiple cable entry plates, w=800 mm d=1000 mm	800x1000
DCBP8011_M50	Bottom Panel, multiple cable entry plates, w=800 mm d=1100 mm	800x1100
DCBP8012_M50	Bottom Panel, multiple cable entry plates, w=800 mm d=1200 mm	800x1200

Note: Color code "M50" is RAL 9005 black, "M2" RAL 7035 light grey option is available

## DCMAX DATA CENTER CABINETS

### 9.3. PLINTH

To raise the cabinet where you need.



PRODUCT REFERENCE	DESCRIPTION	DIMENSIONS W x D (mm)
DCPLT6010_01M50	Plinth for DCMAX, w= 600 mm d= 1000 mm	600x1000
DCPLT6011_01M50	Plinth for DCMAX, w= 600 mm d= 1100 mm	600x1100
DCPLT6012_01M50	Plinth for DCMAX, w= 600 mm d= 1200 mm	600x1200
DCPLT8010_01M50	Plinth for DCMAX, w= 800 mm d= 1000 mm	800x1000
DCPLT8011_01M50	Plinth for DCMAX, w= 800 mm d= 1100 mm	800x1100
DCPLT8012_01M50	Plinth for DCMAX, w= 800 mm d= 1200 mm	800x1200

Note: Color code "M50" is RAL 9005 black, "M2" RAL 7035 light grey option is available

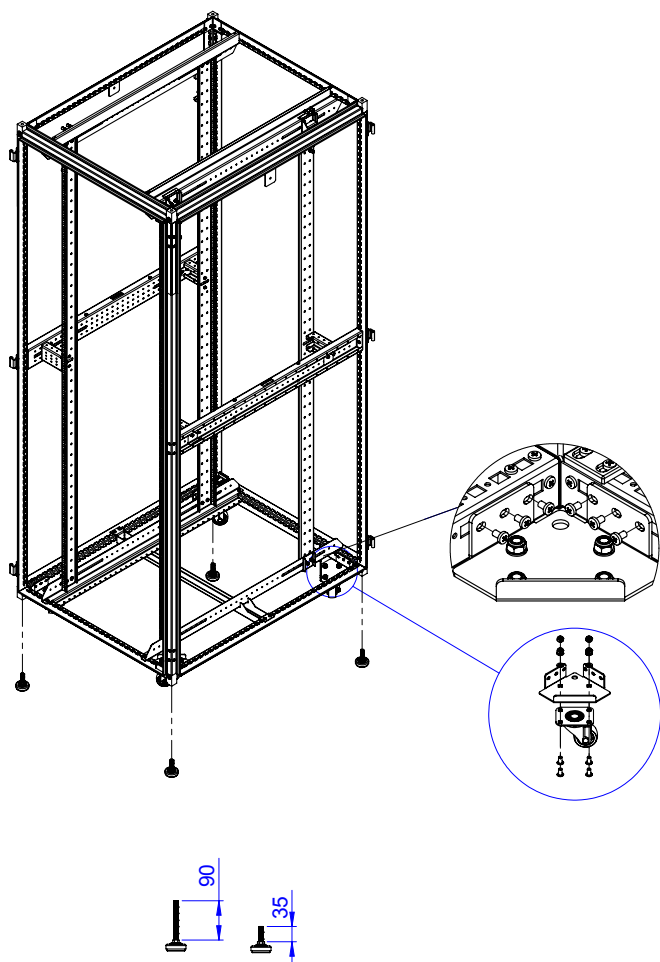
# DCMAX DATA CENTER CABINETS

## 9.4. CASTERS AND LEVELLING FEET

Casters are rotational type and can move any direction

- 2 pcs. front are lockable
- Load capacity per caster:  
Fixed: 50 kg  
Moving: 25kg
- Load capacity per levelling feet: 250 kg.
- Levelling feet: Possible to adjust height of the feet from the floor.

PRODUCT REFERENCE	DESCRIPTION
CST	Casters, 2 pcs. front are lockable
TKRPNYM10X70	M10x70 Levelling feet

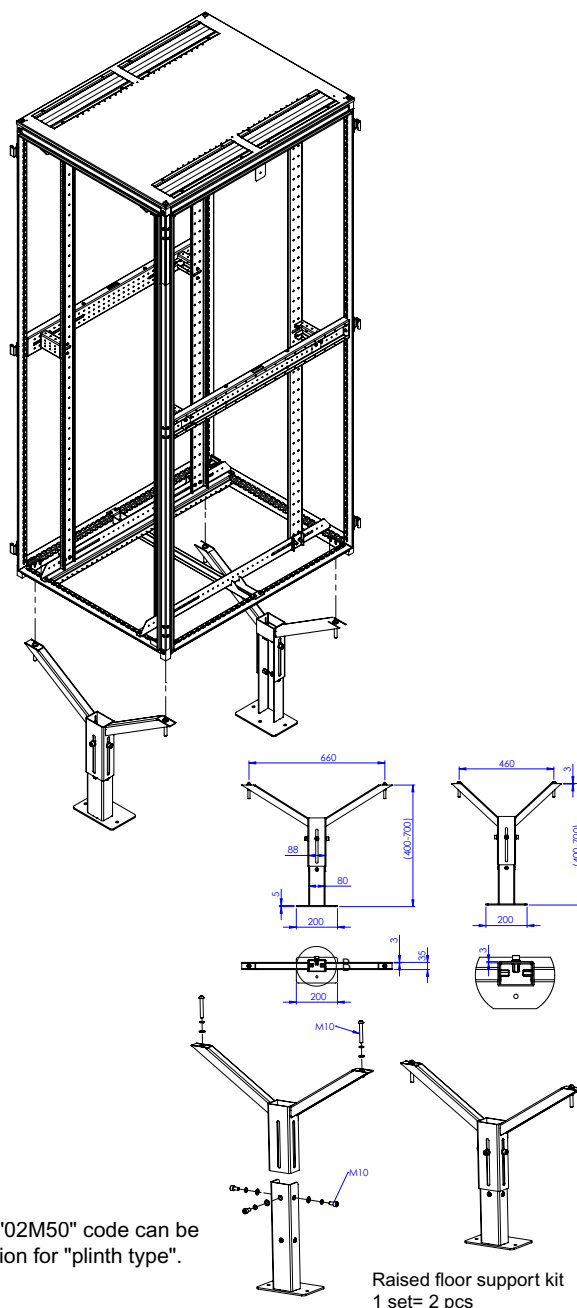


Note1: Casters + levelling feet = 1500 kg. load capacity.  
 Note2: Can be used in cabinet ranges where no additional mounting pieces are needed.

## 9.5. RAISED FLOOR SUPPORT KIT

To fix the cabinet to floor for more stability.

PRODUCT REFERENCE	DESCRIPTION
DCRFSK60_01M50	Raised floor support kit, for the cabinet w=600 mm, adjustable depth= 400-700 mm, 1 set 2 pcs
DCRFSK80_01M50	Raised floor support kit, for the cabinet w=800 mm, adjustable depth= 400-700 mm, 1 set 2 pcs



Note: "02M50" code can be an option for "plinth type".

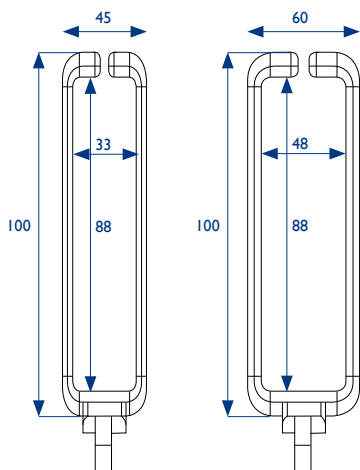
Raised floor support kit  
1 set= 2 pcs

# DCMAX DATA CENTER CABINETS

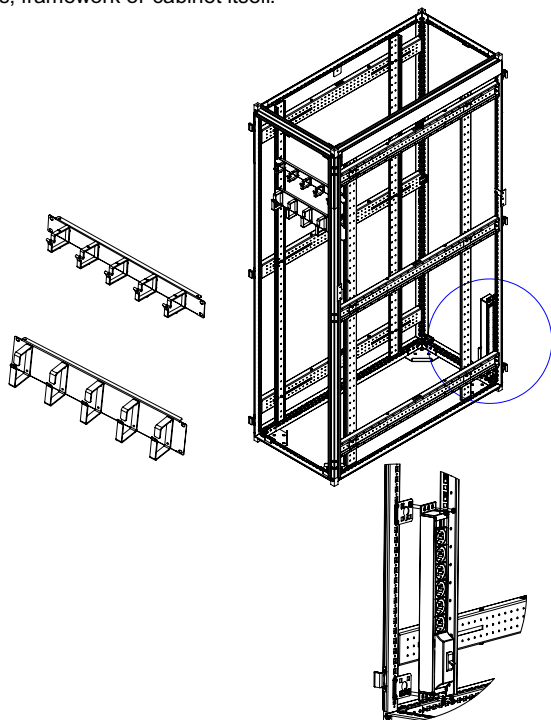
## 9.6. CABLE MANAGEMENT RINGS

To guide your cables where you need.

PRODUCT REFERENCE	DESCRIPTION	W x H (mm)
K44 RING 06	Ring for cable management 45x100mm (1 set = 5 ea.)	45x100
K44 RING 05	Ring for cable management 60x100mm (1 set = 5 ea.)	60x100



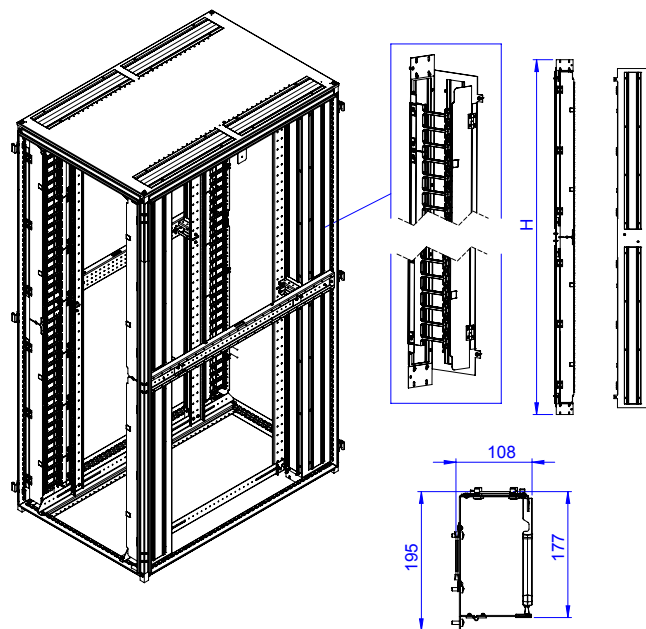
Cable Rings can be used in all cable trays, vertical and horizontal C rails, framework of cabinet itself.



## 9.7. VERTICAL CABLE MANAGER

To guide and manage the cables vertically.

PRODUCT REFERENCE	DESCRIPTION	W x H x D (mm)
M78 ORG42	42U Vertical Cable Manager, Finger type with metal cover.	92x1885x179
M78 ORG47	47U Vertical Cable Manager, Finger type with metal cover.	92x2110x179
DCAFPOR42_M50	Organizer, preventing the air flow, finger type, 42U, w= 800 mm, 2 pcs	108x177
DCAFPOR45_M50	Organizer, preventing the air flow, finger type, 45U, w= 800 mm, 2 pcs	108x177
DCAFPOR47_M50	Organizer, preventing the air flow, finger type, 47U, w= 800 mm, 2 pcs	108x177



Note: Color code "M50" is RAL 9005 black, "M2" RAL 7035 light grey option is available

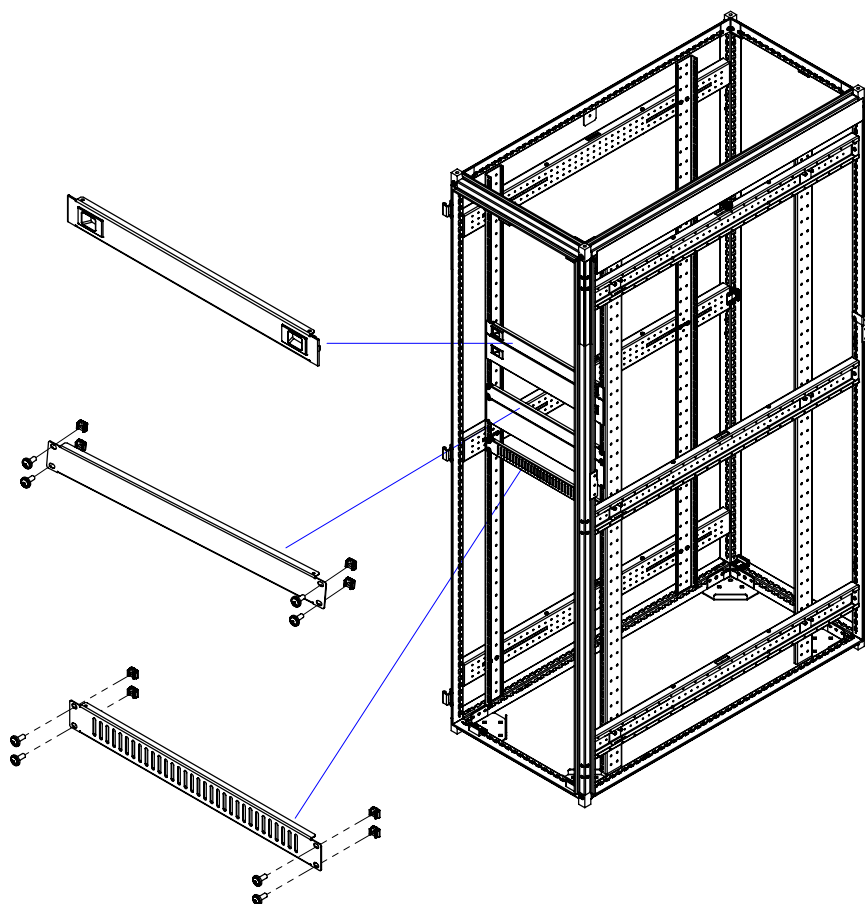


## DCMAX DATA CENTER CABINETS

### 9.8. BLANK PANELS

Airflow management is an important factor for a successful Data Center operation and contributes much to the availability. To have a perfect airflow inside the cabinet, vertical and horizontal blank panels should be used.

PRODUCT REFERENCE	DESCRIPTION	W x H x D (mm)
E44BPN01	1U 19" Blank panel	483x12x44
E44BPN02	2U 19" Blank panel	483x12x88
E44BPN03	3U 19" Blank panel	483x12x133
E44BPN04	4U 19" Blank panel	483x12x177
E44BPN05	5U 19" Blank panel	483x12x222
E44BPN06	6U 19" Blank panel	483x12x266
E44BPN01	1U 19" Blank panel vented	483x12x44
E44BPN02	2U 19" Blank panel vented	483x12x88
E44BPN01_03	1U 19" Toolless Blank panel	483x12x44

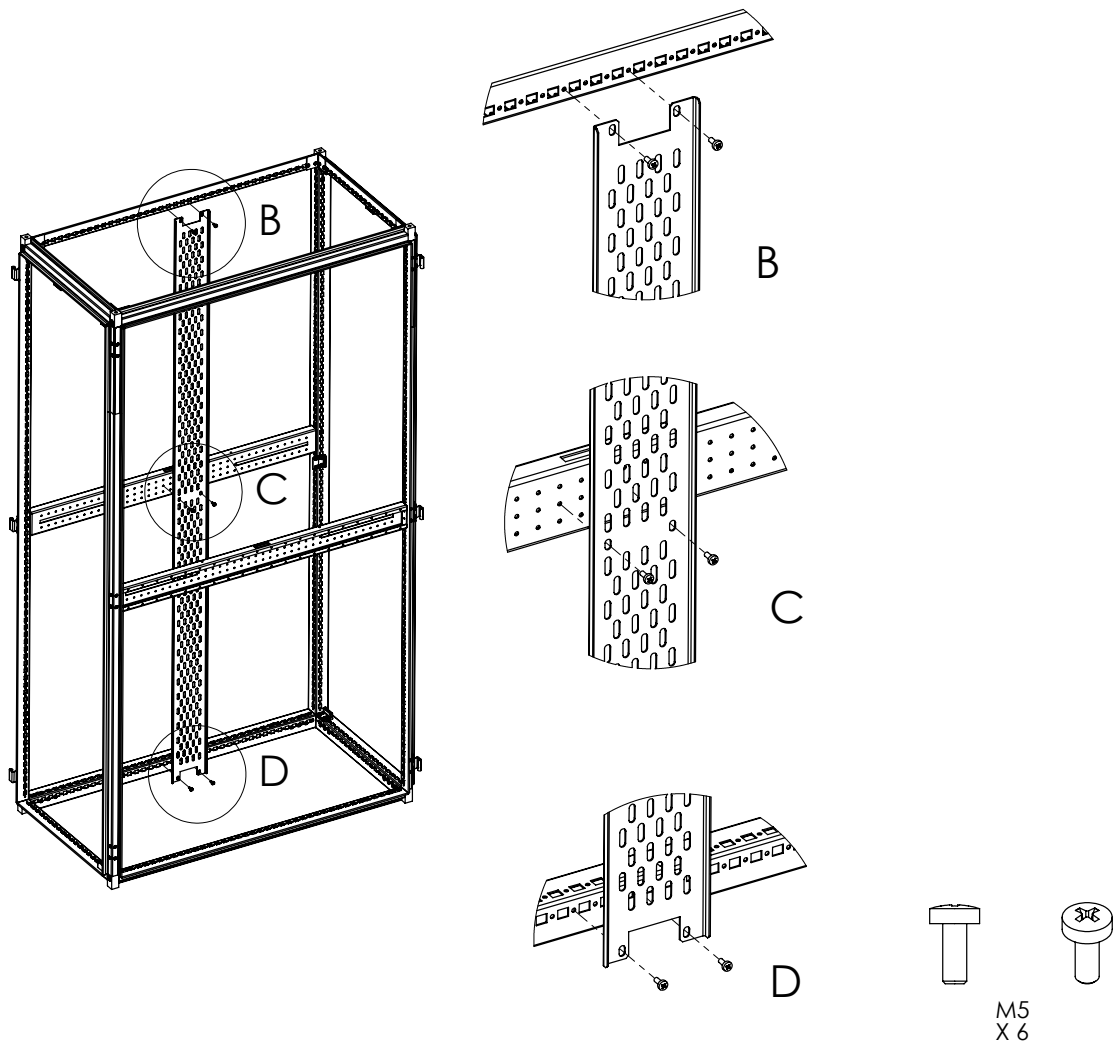


Note: Color code "M50" is RAL 9005 black, "M2" RAL 7035 light grey option is available

# DCMAX DATA CENTER CABINETS

## 9.9. CABLE TRAYS

PRODUCT REFERENCE	DESCRIPTION
DCCT4210	Cable Tray, 42U, w= 100 mm
DCCT4510	Cable Tray, 45U, w= 100 mm
DCCT4710	Cable Tray, 47U, w= 100 mm
DCCT4220	Cable Tray, 42U, w= 200 mm
DCCT4520	Cable Tray, 45U, w= 200 mm
DCCT4720	Cable Tray, 47U, w= 200 mm

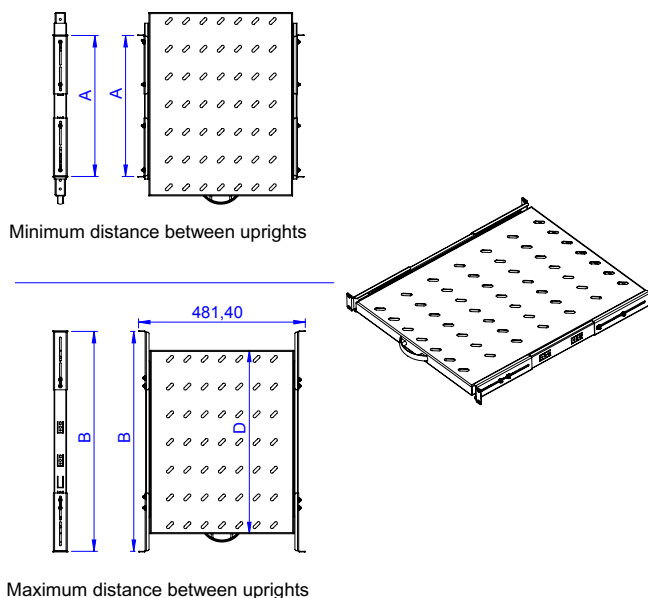
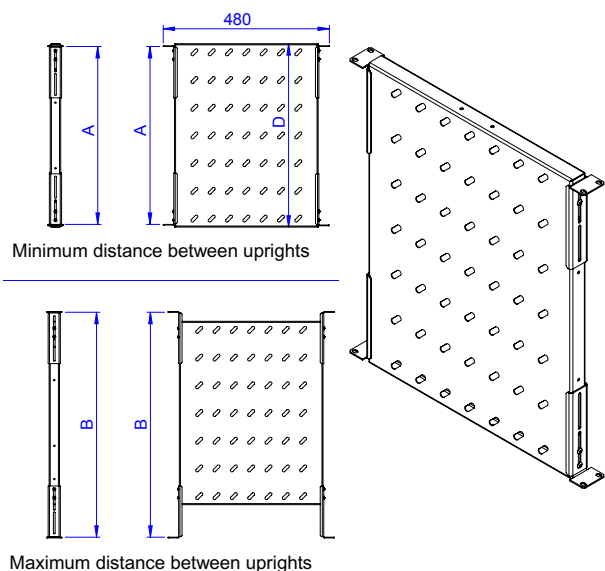


# DCMAX DATA CENTER CABINETS

## 9.10. FIXED AND SLIDING SHELVES

- Fixing points at the sides of rear and front 19" mounting angles
- Vented for air circulation
- Adjustable depth
- Material: sheet steel
- Load carrying capacity: 50 kg for fixed shelves  
30 kg for sliding shelves
- Colour: RAL 7035 light grey  
RAL 9005 black

PRODUCT REFERENCE	DESCRIPTION
SHLFIX60M50	D= 600 mm fixed shelf module with slots, load capacity 50 kg., Ral9005, depth of the shelf D= 372 mm, 4-points fixed. Only suitable for 600 mm depth cabinets.
SHLFIX80M50	D= 800 mm fixed shelf module with slots, load capacity 50 kg., Ral9005, depth of the shelf D= 530 mm, 4-points fixed. Only suitable for 800 mm depth cabinets.
SHLFIX100M50	D= 1000 mm fixed shelf module with slots, load capacity 50 kg., Ral9005, depth of the shelf D= 696 mm, 4-points fixed. Only suitable for 1000 mm depth cabinets.
SHLSLD60M50	D= 600 mm sliding shelf module with slots, load capacity 30 kg., Ral9005, depth of the shelf D= 372 mm, 4-points fixed. Only suitable for 600 mm depth cabinets.
SHLSLD80M50	D= 800 mm sliding shelf module with slots, load capacity 30 kg., Ral9005, depth of the shelf D= 530 mm, 4-points fixed. Only suitable for 800 mm depth cabinets.
SHLSLD100M50	D= 1000 mm sliding shelf module with slots, load capacity 30 kg., Ral9005, depth of the shelf D= 696 mm, 4-points fixed. Only suitable for 1000 mm depth cabinets.



Note: Color code "M50" is RAL 9005 black, "M2" RAL 7035 light grey option is available.

## DCMAX DATA CENTER CABINETS

### 9.11. FAN MODULES

**Fan specifications:**

**Frequency:** 50/60 Hz

**Input power:** 8/7W

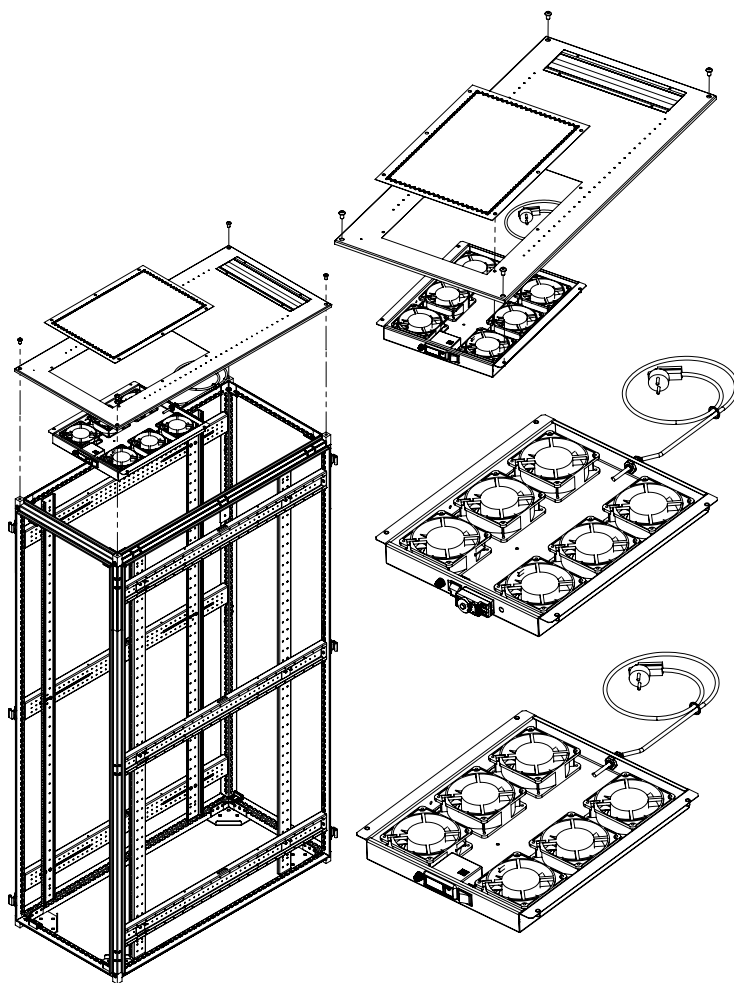
**Rated voltage:** 220 VAC

**Noise level:** 38 dB /32 Db

**Fan dimensions:** 120\*120\*38 mm

**Max. air flow:** 53(CFM) /37(CFM)

PRODUCT REFERENCE	DESCRIPTION
FAN4DT4F01_M50	Fan module, 4 fan + digital thermostat, 2P+E plug, schuko std., 4 pre-cut hole
FAN4DT4F02_M50	Fan module, 4 fan + digital thermostat, 2P+E plug, UK std., 4 pre-cut hole
FAN4OO4F01_M50	Fan module, 4 fan + On/Off, 2P+E plug, schuko std., 4 pre-cut hole
FAN4OO4F02_M50	Fan module, 4 fan + On/Off, 2P+E plug, UK std., 4 pre-cut hole
FAN4AT4F01_M50	Fan module, 4 fan + analog thermostat, 2P+E plug, schuko std., 4 pre-cut hole
FAN4AT4F02_M50	Fan module, 4 fan + analog thermostat, 2P+E plug, UK std., 4 pre-cut hole
FAN6DT6F01_M50	Fan module, 6 fan + digital thermostat, 2P+E plug, schuko std., 6 pre-cut hole
FAN6DT6F02_M50	Fan module, 6 fan + digital thermostat, 2P+E plug, UK std., 6 pre-cut hole
FAN6OO6F01_M50	Fan module, 6 fan + On/Off, 2P+E plug, schuko std., 6 pre-cut hole
FAN6OO6F02_M50	Fan module, 6 fan + On/Off, 2P+E plug, UK std., 6 pre-cut hole
FAN6AT6F01_M50	Fan module, 6 fan + analog thermostat, 2P+E plug, schuko std., 6 pre-cut hole
FAN6AT6F02_M50	Fan module, 6 fan + analog thermostat, 2P+E plug, UK std., 6 pre-cut hole

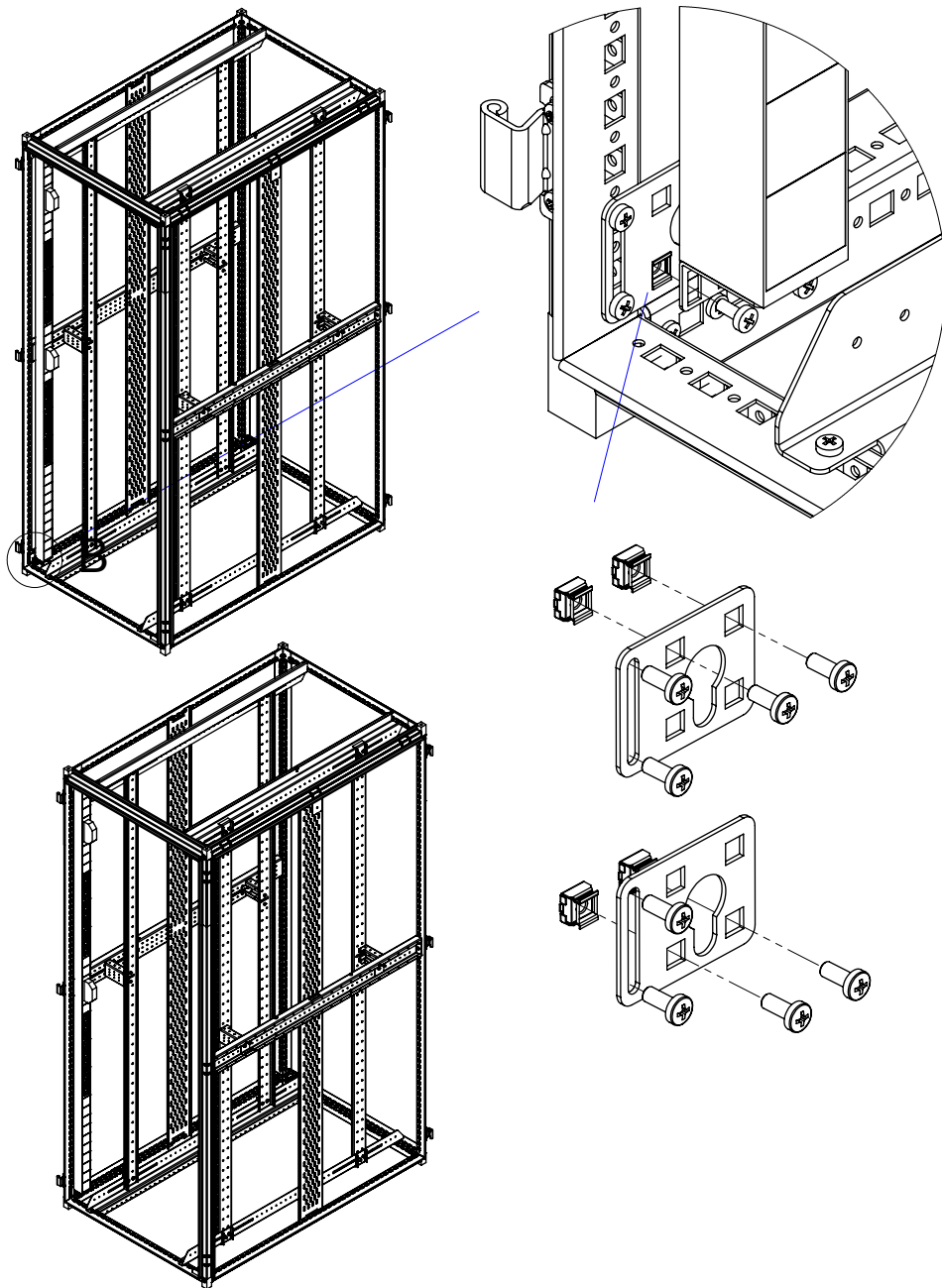


Note: Color code "M50" is RAL 9005 black, "M2" RAL 7035 light grey option is available

# DCMAX DATA CENTER CABINETS

## 9.12. PDU HOLDER

PRODUCT REFERENCE	DESCRIPTION
DCPDUHM01_M50	PDU holder, 1 set= 2 pcs, for 1 PDU
DCPDUHM02_M50	PDU holder, 1 set= 2 pcs, for 2 PDU

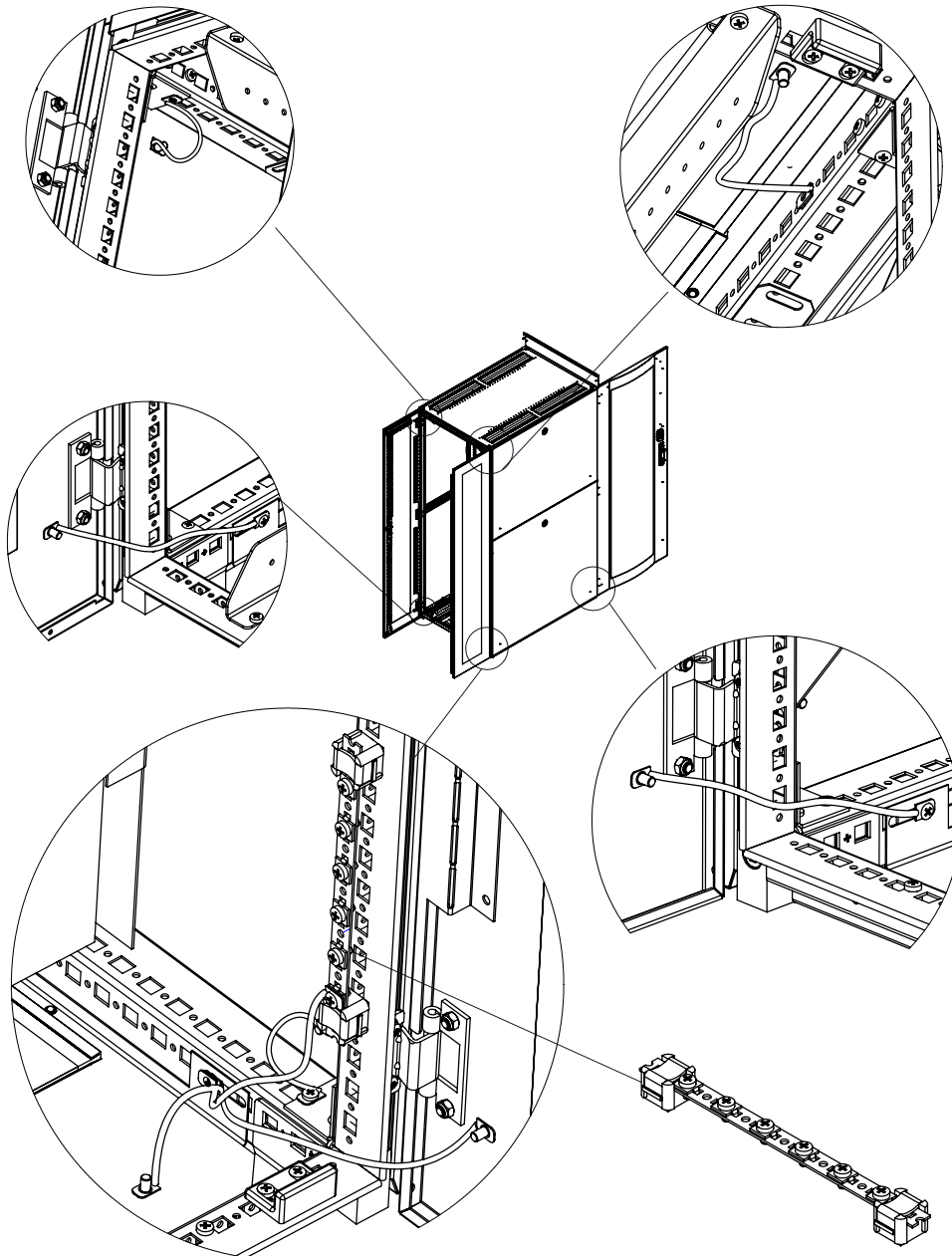


# DCMAX DATA CENTER CABINETS

## 9.13. GROUNDING KIT

Cable cross section: 4 mm<sup>2</sup>  
 Cable length: 150 mm (2 pcs.)  
 Cable length: 250 mm (4 pcs.)

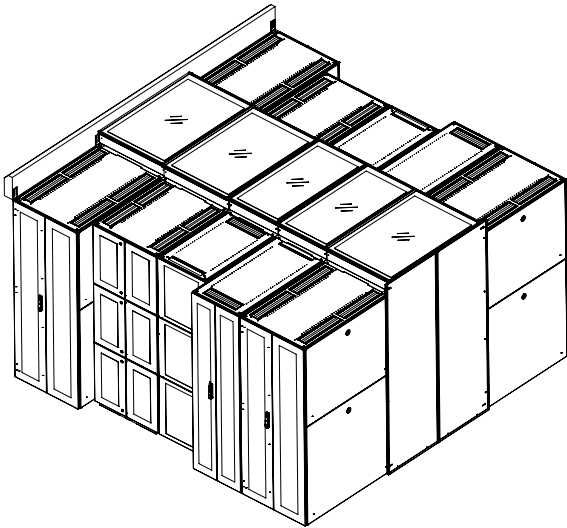
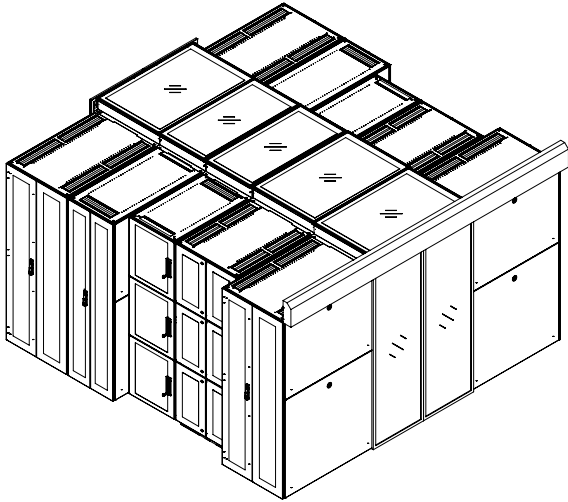
PRODUCT REFERENCE	DESCRIPTION
M44PEB01	Grounding kit, 6 each earthing leads + copper busbar



## DCMAX CORRIDOR SOLUTIONS

### 10. CORRIDOR SOLUTIONS

In data center rooms, to have efficient cooling and to have a well organized system, corridor solutions are the right instrument. A closed corridor can provide roughly %40 cooling efficiency. Estap can provide different closing alternatives, although the racks have different heights or widths. Also suitable for future expansions.

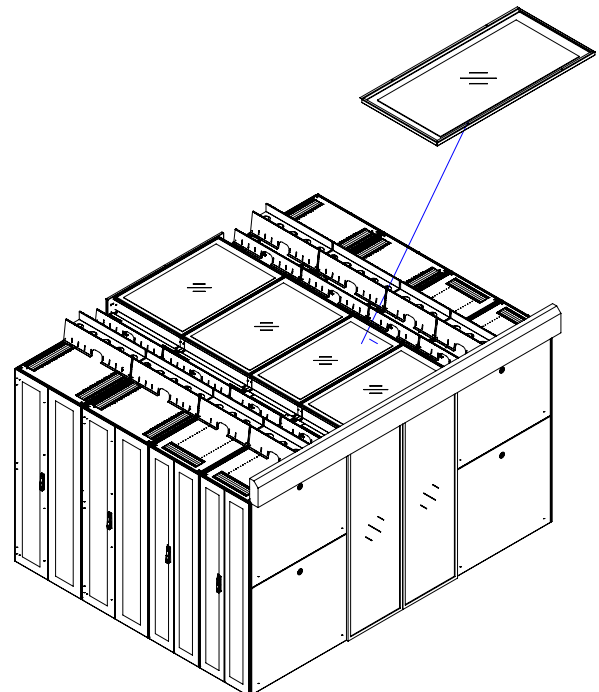


Please contact to Sales Department for more alternative solutions.

### 10.1. TOP PANEL MODULE (4mm)

To close the top of hot/cold aisle. Easy to fix. Polycarbonate closing with reinforced metal frame.

PRODUCT REFERENCE	DESCRIPTION
DCTP6012_01M50	Top panel module, 600X1200 mm
DCTP6012_02M50	Top panel edge module, 600X1200 mm
DCTP6015_02M50	Top panel edge module, 600x1500 mm
DCTP6015_01M50	Top panel module, 600X1500 mm
DCTP8012_01M50	Top panel module, 800X1200 mm
DCTP8012_02M50	Top panel edge module, 800X1200 mm
DCTP8015_02M50	Top panel edge module, 800X1500 mm
DCTP8015_01M50	Top panel module, 800X1500 mm
DCTP8018_02M50	Top panel edge module, 800X1800 mm
DCTP8018_01M50	Top panel module, 800X1800 mm



## DCMAX CORRIDOR SOLUTIONS

### 10.2. CORRIDOR DOORS

2 types of door options are available as automatic opening and manual opening. System is CE, TUV and ISO certificated.

**Automatic Opening**

**Wing Frame Material:**

Aluminium.

**Glass:**

4+4mm transparent laminated glass.

**Carrier System:**

5 x 60 x 120mm – 4x brackets; 40 x 60 x 2mm Alm. Profile posts.

**Carrier wide:**

3200mm – 3600mm\*

**Security Sensor:**

Active 8 curtain photocell sensor.

**Mechanism Wide:**

2500mm.

**Corridor Wide:**

1200 x 2240mm.

**Wings:**

2 x moving wings, automatic.

**Locking:**

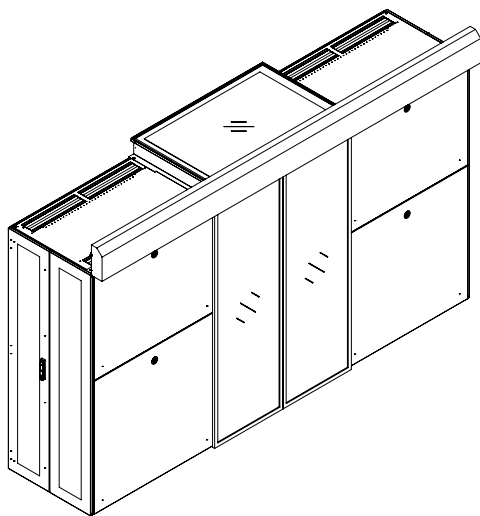
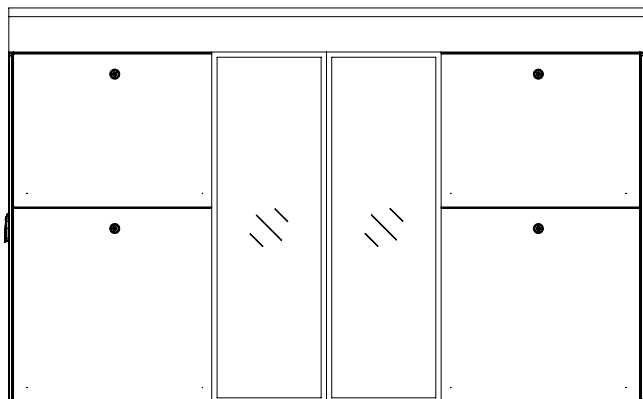
Electro-mechanic locking systems.

**Locking Options:**

Keypad or Proximity Card.

**Colour:**

RAL 9005 and RAL 7035.



\*Depends to the cabinets depth.

PRODUCT REFERENCE	DESCRIPTION
DCCD4212_01M50	42U Corridor door, double opening, w= 1200 mm, tempered glass, opening and exit with hand sensor
DCCD4215_01M50	42U Corridor door, double opening, w= 1500 mm, tempered glass, opening and exit with hand sensor
DCCD4218_01M50	42U Corridor door, double opening, w= 1800 mm, tempered glass, opening and exit with hand sensor
DCCD4512_01M50	45U Corridor door, double opening, w= 1200 mm, tempered glass, opening and exit with hand sensor
DCCD4515_01M50	45U Corridor door, double opening, w= 1500 mm, tempered glass, opening and exit with hand sensor
DCCD4518_01M50	45U Corridor door, double opening, w= 1800 mm, tempered glass, opening and exit with hand sensor
DCCD4712_01M50	47U Corridor door, double opening, w= 1200 mm, tempered glass, opening and exit with hand sensor
DCCD4715_01M50	47U Corridor door, double opening, w= 1500 mm, tempered glass, opening and exit with hand sensor
DCCD4718_01M50	47U Corridor door, double opening, w= 1800 mm, tempered glass, opening and exit with hand sensor



## DCMAX CORRIDOR SOLUTIONS

### 10.2. CORRIDOR DOORS

#### Manuel Opening

#### Wing Frame Material:

Aluminium.

#### Glass:

4+4mm transparent laminated glass.

#### Carrier System:

5 x 60 x 120mm – 4x brackets; 40 x 60 x 2mm Alm. Profile posts.

#### Carrier wide:

3200mm – 3600mm\*

#### Mechanism Wide:

2500mm

#### Corridor Wide:

1200mm

#### Wings:

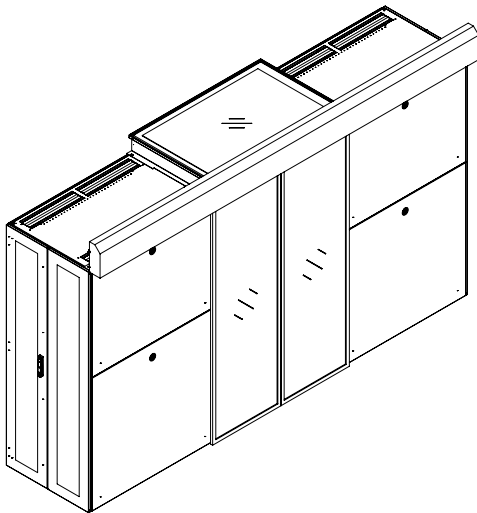
2 x synchronized wings.

#### Locking:

Lock to the bottom.

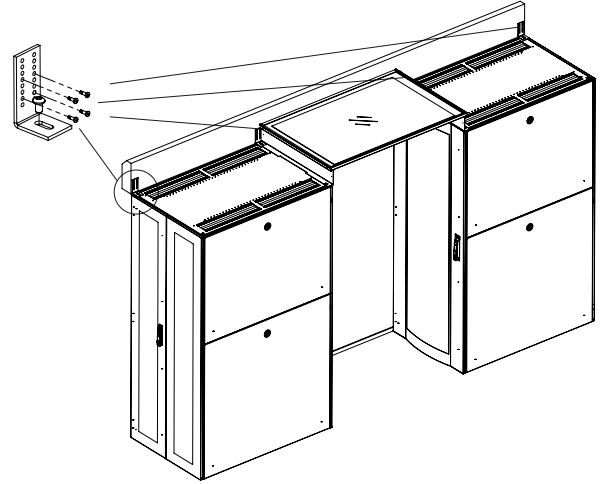
#### Colour:

RAL 9005 and RAL 7035



\*Depends to the cabinets depth.

### 10.3. CORRIDOR DOOR FIXING MODULE



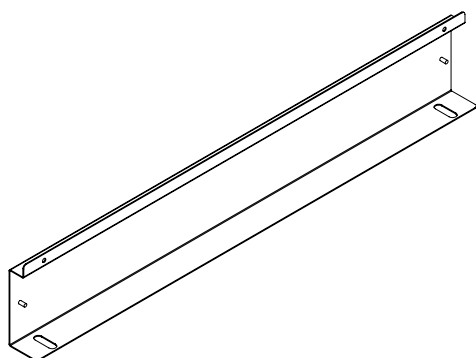
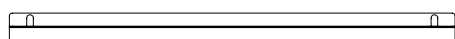
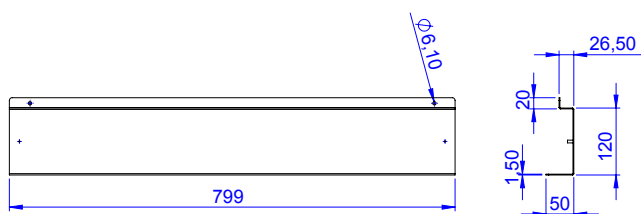
PRODUCT REFERENCE	DESCRIPTION
DCCDFM_02M50	Corridor door fixing module, 8 cm top cover panel

# DCMAX CORRIDOR SOLUTIONS

## 10.4. TOP COVER PANEL

Also, top cover panel is necessary for a good view and to fit aisle roofs wells.

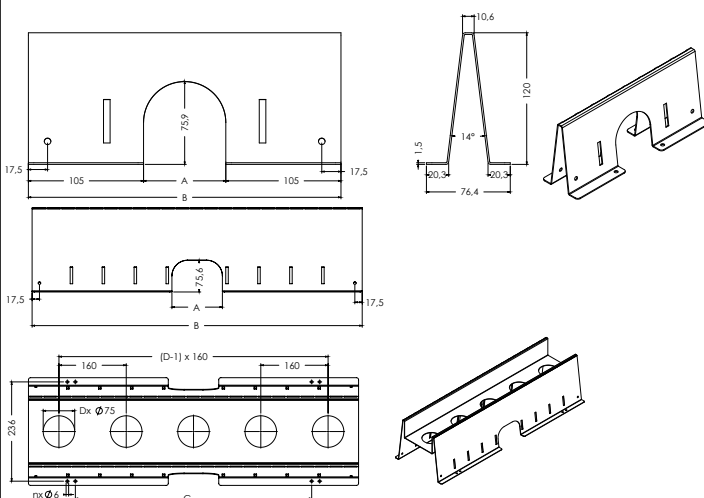
PRODUCT REFERENCE	DESCRIPTION
DCTCP6012_M50	Top cover panel, w= 600 mm, h= 120 mm
DCTCP8012_M50	Top cover panel, w= 800 mm, h= 120 mm



## 10.5. TOP COVER CABLE SEPERATOR (A AND M TYPE)

DcMax cabinets offer professional and highly secured management of high density data and power cables. Seperate cable inlet for data and energy cables, and seperate overhead cable trays and dividers minimize the electromagnetic and physical interference.

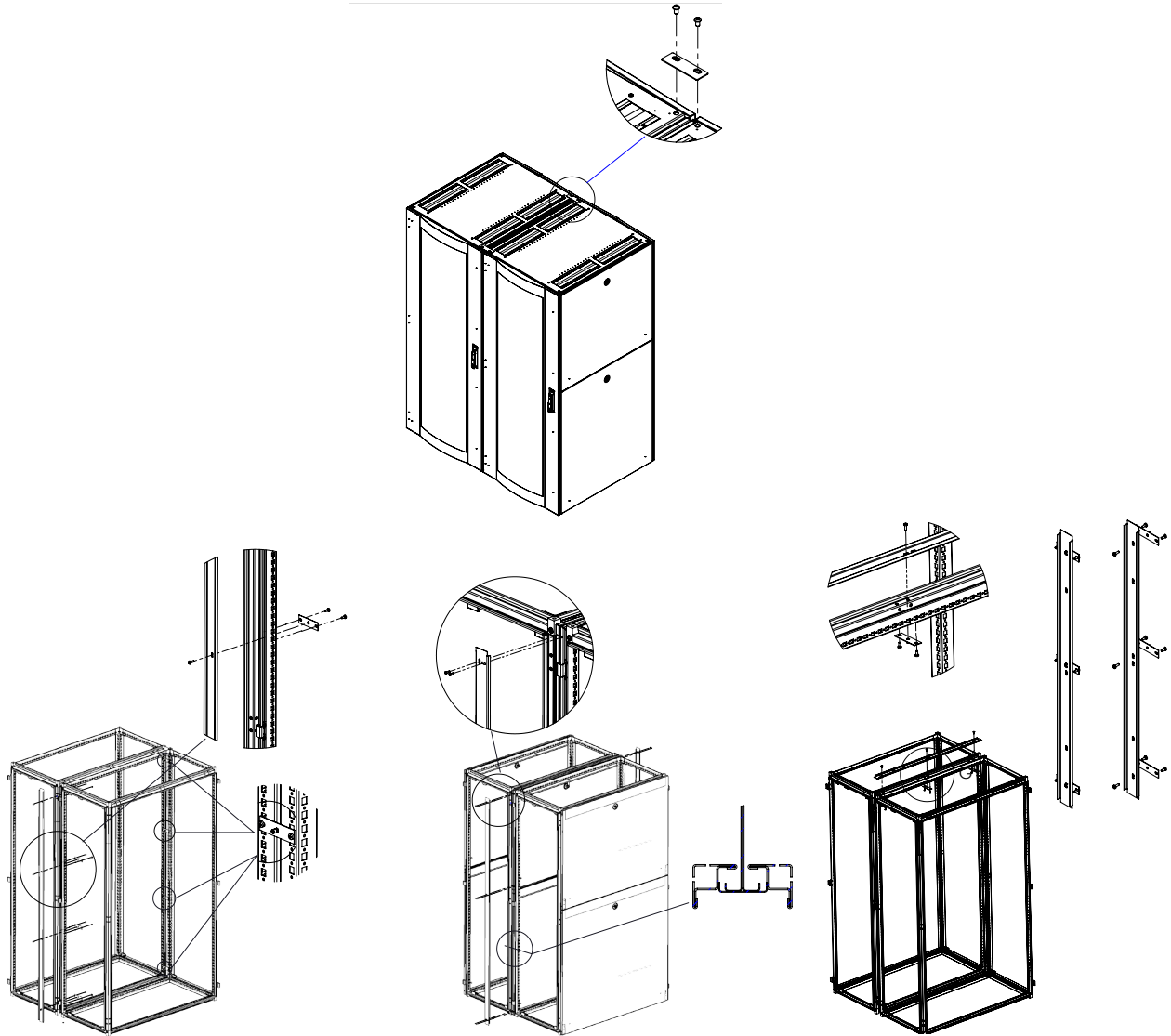
PRODUCT REFERENCE	DESCRIPTION
DCTCCS6012_01M50	01M50 Top cover cable seperator, h= 120 mm, w= 600 mm, A type
DCTCCS8012_01M50	Top cover cable seperator, h= 120 mm, w= 800 mm, A type
DCTCCS6020_02M50	Top cover cable seperator, h= 200 mm, w= 600 mm, M type
DCTCCS8020_02M50	Top cover cable seperator, h= 200 mm, w= 800 mm, M type



# DCMAX CORRIDOR SOLUTIONS

## 10.6. BAYING KIT AND BLANK MODULES

PRODUCT REFERENCE	DESCRIPTION
DCBK_01M50	Baying kit, 1 set= 2 pcs.
DCBM42_01M50	Blank module, 42U, without side panel
DCBM45_01M50	Blank module, 45U, without side panel
DCBM47_01M50	Blank module, 47U, without side panel
DCBM42_02M50	Blank module, 42U, with side panel
DCBM45_02M50	Blank module, 45U, with side panel
DCBM47_02M50	Blank module, 47U, with side panel
DCBM42_03M50	Blank module, 42U, without side panel depth
DCBM45_03M50	Blank module, 45U, without side panel depth
DCBM47_03M50	Blank module, 47U, without side panel depth

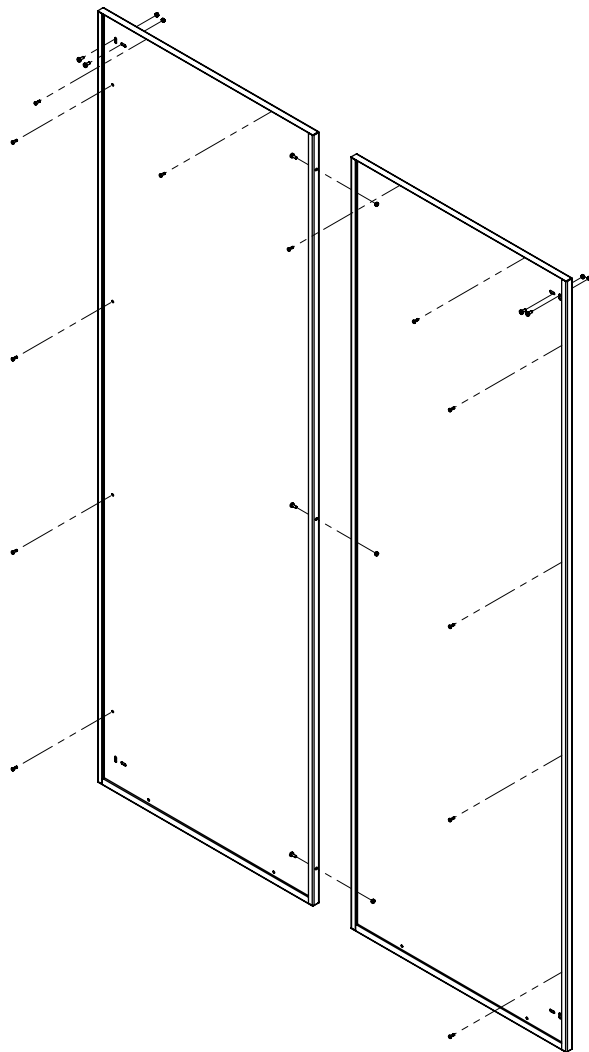


Note: Baying kit option of "02M50" code is for profile baying kit

## DCMAX CORRIDOR SOLUTIONS

### 10.7. CORRIDOR REAR PANEL MODULES

PRODUCT REFERENCE	DESCRIPTION
DCCRPM4212_01M50	Corridor rear panel modules, 42U, h=1200 mm
DCCRPM4215_01M50	Corridor rear panel modules, 42U, h=1500 mm
DCCRPM4218_01M50	Corridor rear panel modules, 42U, h=1800 mm
DCCRPM4712_01M50	Corridor rear panel modules, 47U, h=1200 mm
DCCRPM4715_01M50	Corridor rear panel modules, 47U, h=1500 mm
DCCRPM4718_01M50	Corridor rear panel modules, 47U, h=1800 mm



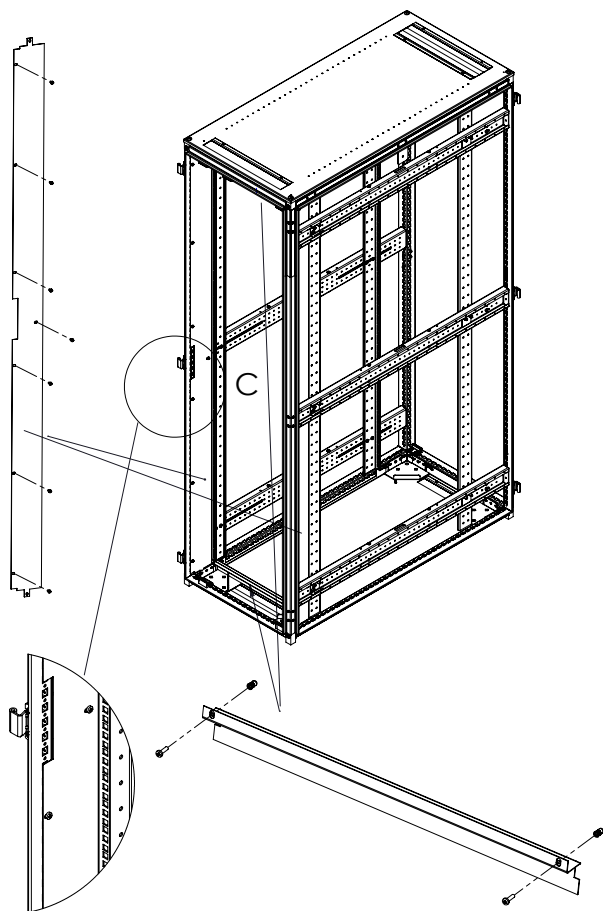
Note: Rear panel options are; "02M50" for plexiglass "03M50" for glass

# DCMAX CORRIDOR SOLUTIONS

## 10.8. AIRFLOW PREVENTATIVE PANEL

PRODUCT REFERENCE	DESCRIPTION
DCAFPTBP4260_M50	Airflow preventative panel, 42U, w=600 mm, top and bottom
DCAFPTBP4280_M50	Airflow preventative panel, 42U, w=800 mm, top and bottom
DCAFPTBP4780_M50	Airflow preventative panel, 47U, w=800 mm, top and bottom
DCAFPSP4260_M50	Airflow preventative panel, 42U, w=600 mm, side
DCAFPSP4560_M50	Airflow preventative panel, 45U, w=600 mm, side
DCAFPSP4760_M50	Airflow preventative panel, 47U, w=600 mm, side
DCAFPSP4280_M50	Airflow preventative panel, 42U, w=800 mm, side
DCAFPSP4580_M50	Airflow preventative panel, 45U, w=800 mm, side
DCAFPSP4780_M50	Airflow preventative panel, 47U, w=800 mm, side

AIRFLOW PREVENTATIVE PANEL (600 MM)



AIRFLOW PREVENTATIVE PANEL (800 MM)

