

RelayRack

Intro

Open frame/RelayRack offers highly cost-effective and easy assembly solutions for numerous applications in the field of network technology and electronics.



GENERAL CHARACTERISTICS

- Designed to house 19" standard mounting devices
- 300 kg load carrying capacity
- Wide range of sizes;
16U/22U/26U/36U/42U/48U
- Width: 536 mm
- Single frame for just 19" frontal assembly
- Single frame depth is 640 mm
- Double frame with 180 mm extension unit,
Depth= 820 mm
- Double frame with 300 mm extension unit,
Depth=940 mm
- Standard colors:
RAL 9005 Black & RAL 7035 Light Grey
- Uprights are punched in full-length with square holes to use standard accessory cable ring for cable management
- Levelling feet as standard
- Provides quick access to equipment
- Available as flatpack



Smart Design Options

Smart design features to be used as single frame or double frame.

- Single frame unit, provides housing for just 19'' frontal assembly installations, compatible with all standard 19'' frontal assembly accessories
- Double frame units, with extension unit in between the base structure of the Relayrack / Open Frames D=180mm, frame units will provide 4 point assembly possibility to house all D=800mm range accessories. where the frame base depth becomes 820 mm
- Double frame units, with extension unit in between the base structure of the Relayrack / Open Frames, D=300 mm frame units will provide 4 point assembly possibility to house all suitable range accessories, where the frame base depth becomes 940 mm, the application field is called servering; the Relayrack / Open Frames with this structure becomes server Relayrack

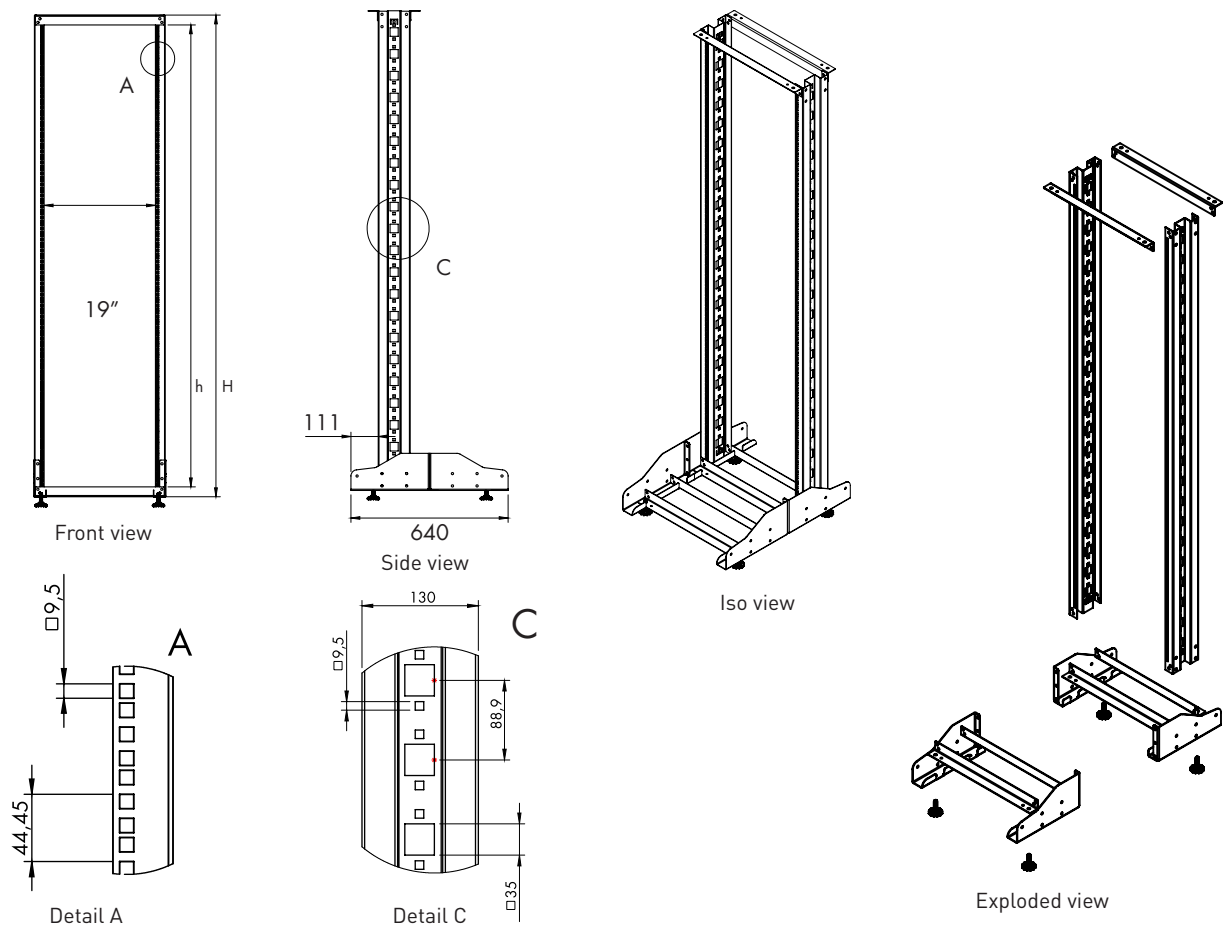


RelayRack

SINGLE FRAME

PRODUCT REFERENCE

D=640 MM CABINET DIMENSIONS (MM)



H= Enclosure height

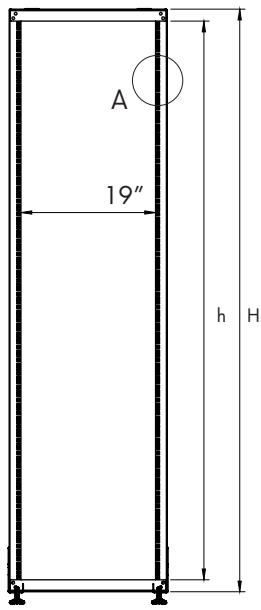
PRODUCT REFERENCE	DESCRIPTION	DIMENSIONS WxDxH (mm)	INSIDE HEIGHT (mm)
MLRCK16S_01M50	16U 19" D=640 single frame	536x640x826	714,4
MLRCK22S_01M50	22U 19" D=640 single frame	536x640x1092	981,1
MLRCK26S_01M50	26U 19" D=640 single frame	536x640x1270	1158,9
MLRCK36S_01M50	36U 19" D=640 single frame	536x640x1715	1603,4
MLRCK42S_01M50	42U 19" D=640 single frame	536x640x1981	1870,1
MLRCK48S_01M50	48U 19" D=640 single frame	536x640x2248	2136,8

Note: Color code "M50" is RAL 9005 black, "M2" RAL 7035 light grey option is available

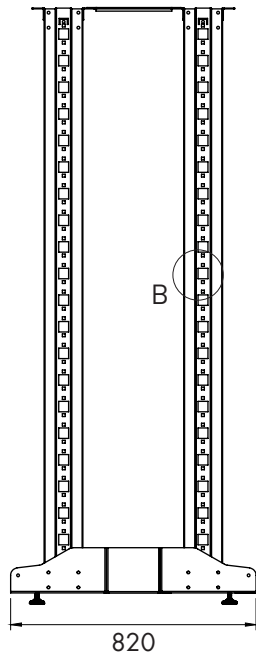
DOUBLE FRAME

PRODUCT REFERENCE

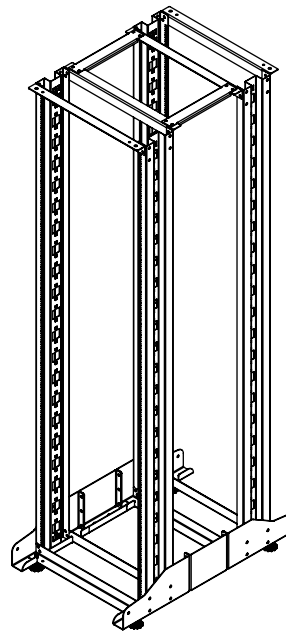
D=820 MM CABINET DIMENSIONS (MM)



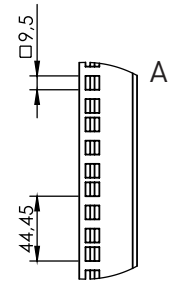
Front view



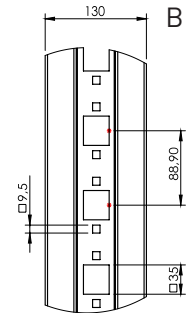
Side view



Iso view



Detail A



Detail B

PRODUCT REFERENCE	DESCRIPTION	DIMENSIONS WxDxH (mm)	INSIDE HEIGHT (mm)
MLRCK16D_01M50	16U 19" D= 820 double frame	536x820x826	714,4
MLRCK22D_01M50	22U 19" D= 820 double frame	536x820x1092	981,1
MLRCK26D_01M50	26U 19" D= 820 double frame	536x820x1270	1158,9
MLRCK36D_01M50	36U 19" D= 820 double frame	536x820x1715	1603,4
MLRCK42D_01M50	42U 19" D= 820 double frame	536x820x1981	1870,1
MLRCK48D_01M50	48U 19" D= 820 double frame	536x820x2248	2136,8
TOPCOVER66_01M50	Top cover	Width= 530 mm - Depth= 530 mm	-
TOPCOVER88_01M50	Top cover	Width= 530 mm - Depth= 730 mm	-

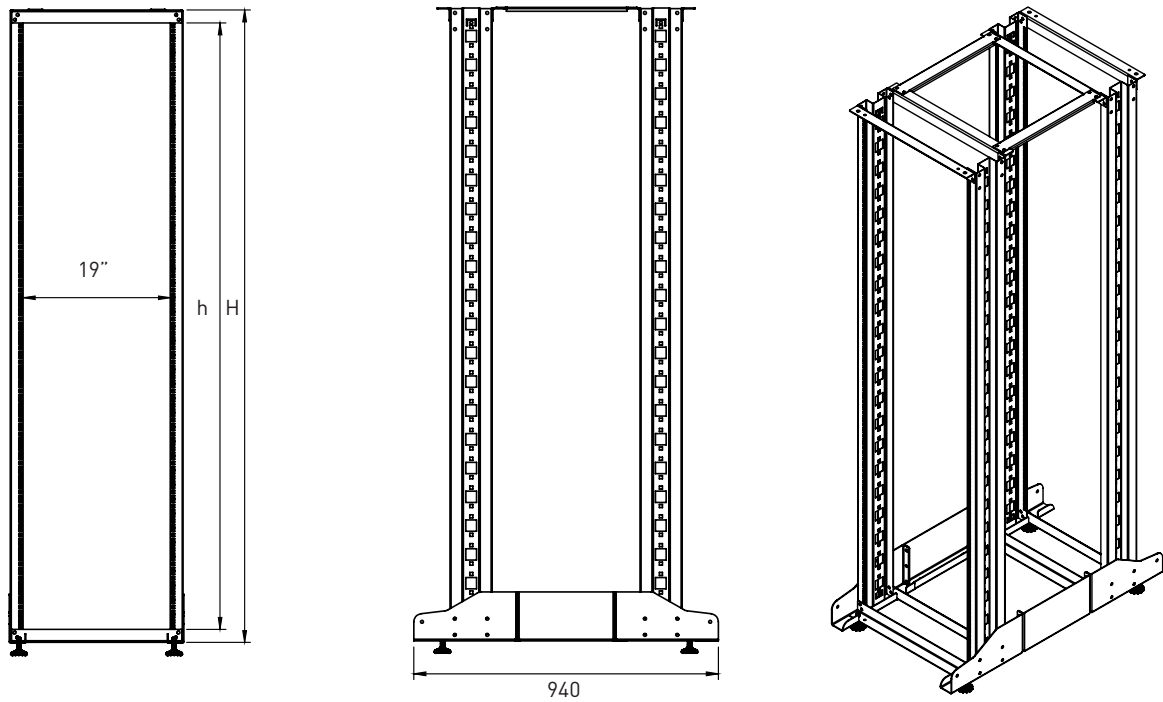
Note: Color code "M50" is RAL 9005 black, "M2" RAL 7035 light grey option is available

RelayRack

DOUBLE FRAME

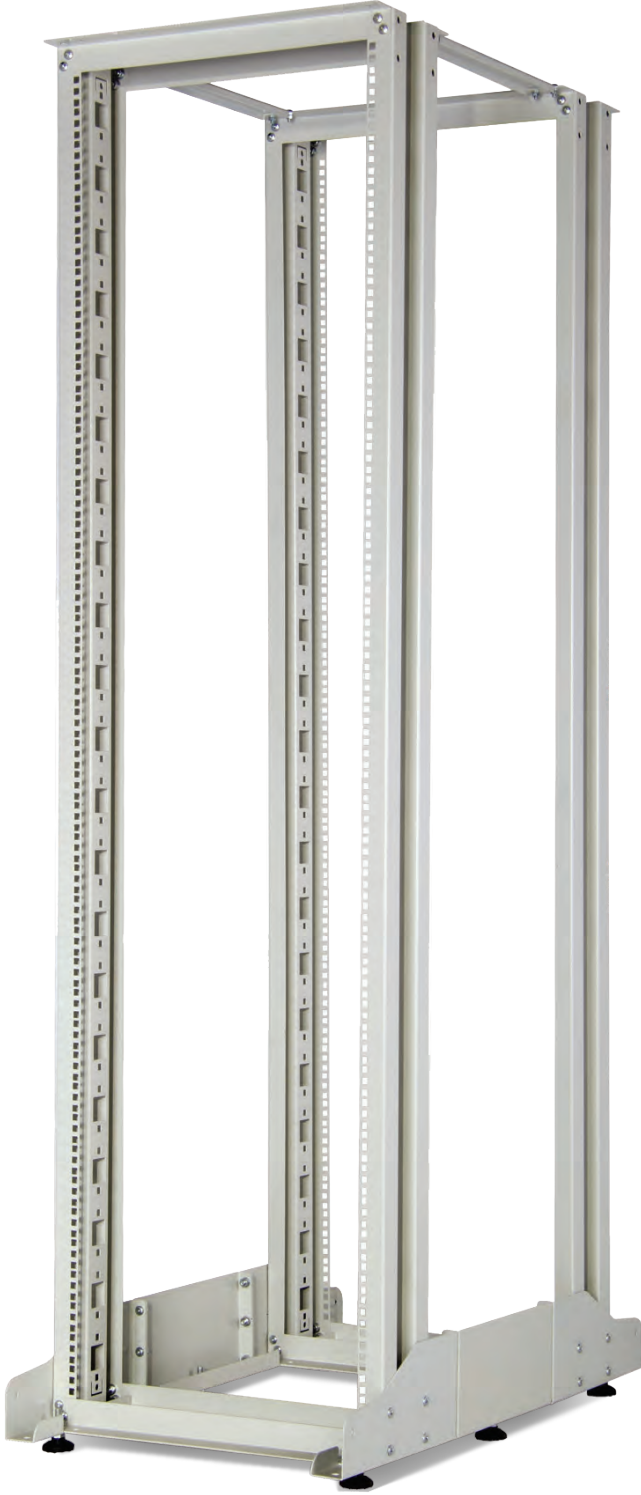
PRODUCT REFERENCE

D=940 MM CABINET DIMENSIONS (MM)

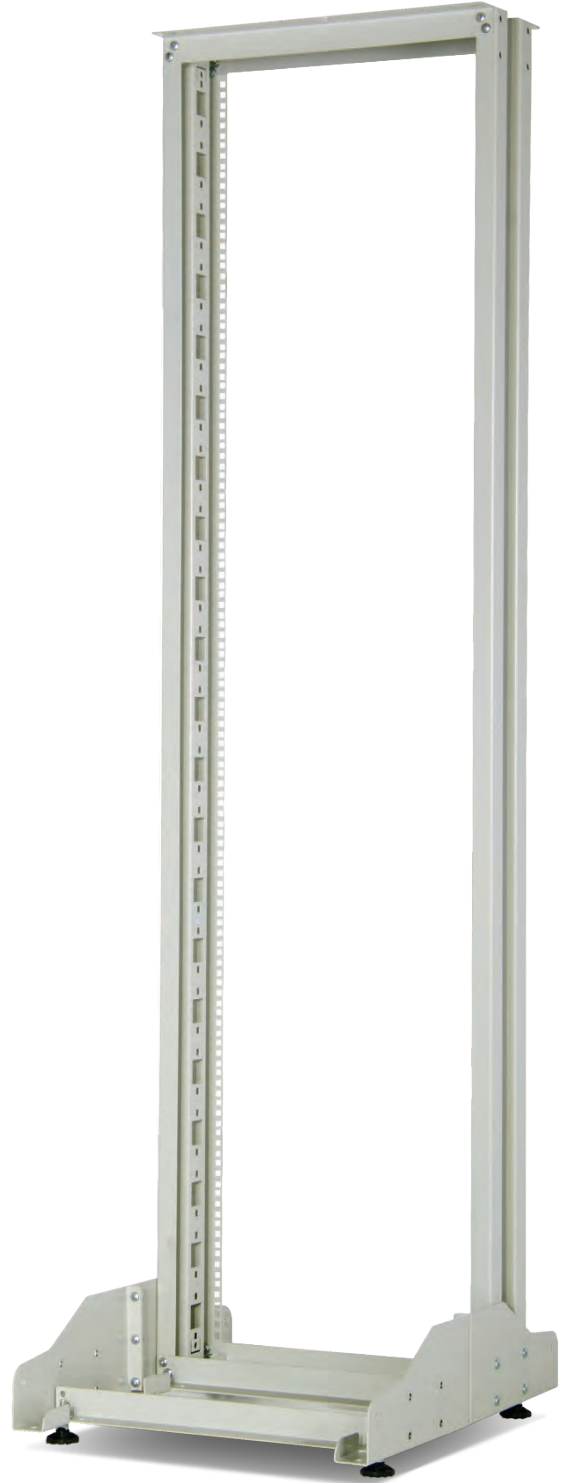


PRODUCT REFERENCE	DEFINITION	DIMENSIONS WxDxH (mm)	INSIDE HEIGHT (mm)
MLRCK26UD100_01M50	26U 19" D= 940 double frame	536x940x1270	1158,9
MLRCK36UD100_01M50	36U 19" D= 940 double frame	536x940x1715	1603,4
MLRCK42UD100_01M50	42U 19" D= 940 double frame	536x940x1981	1870,1
MLRCK48UD100_01M50	48U 19" D= 940 double frame	536x940x2248	2136,8
TOPCOVER100_01M50	Top cover	Width= 530 mm - Depth= 850 mm	-
TOPCOVER88_01M50	Top cover	Width= 530 mm - Depth= 730 mm	-

Note: Color code "M50" is RAL 9005 black, "M2" RAL 7035 light grey option is available



DOUBLE FRAME



SINGLE FRAME

RelayRack

NETWORK APPLICATIONS



AVAILABLE WITH HARD TOP

D=180 mm extension kit provides 820 mm depth,
D=300 mm extension kit provides 940 mm depth.

VERTICAL CABLE MANAGEMENT PANEL WITH COVER

Used for hiding and protecting networking cable bundles. Can be easily fixed to 4 post or 2 post racks, left and/or right sides.

It is vertical along the rack and has holes for cable entries and pass.

Please define your colour with your order (RAL 7035 light grey and RAL 9005 black). Unless noted otherwise it is delivered as RAL 9005 black.

SERVER STORAGE AND SHELVING

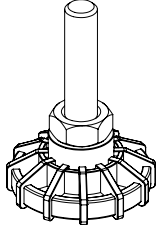
Designed for server/PC storage and shelving. Managing all devices and servers in professional style, it is functional to access all the way of racks.

It is easy to maintain. All 4 post racks can be bayed side by side.

Can also be used as a device console or device storage rack.

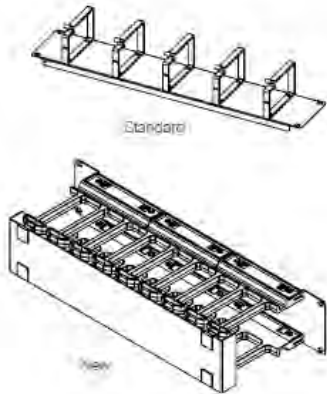
RelayRack Accessories

CASTER AND LEVELLING FEET



PRODUCT REFERENCE	DESCRIPTION
M22DRTGR	Castor group, 2ea. Front: lockable, rotatable, 2ea. Rear: rotatable Castor Group, 1point fixing, 1set=4ea Load capacity=25kg./castor
M11PNY02	Levelling feet, PVC (1set=4ea), adjustable
M11PNY35	Heavy duty type levelling feet, metal, inner filled with rubber (1set=4ea), height=35mm., adjustable
M11PNY99	Heavy duty type levelling feet, metal, inner filled with rubber (1set=4ea), height=90mm., adjustable

HORIZONTAL CABLE MANAGER



PRODUCT REFERENCE	DESCRIPTION	DIMENSIONS WxHxD (mm)
E440RG1U_01M50	1U 19" cable management panels with 5 metal rings	483x44x80
E440RG1UPLST_01M50	1U 19" cable management panels with 4 plastic rings	483x44x80
E440RG1UN_01M50	1U 19" cable management panel, channel type and with removable cover	483x44x71
E440RG2F_01M50	1U 19" cable management panels with front patch cord access holes, L shaped, rear tray for cable support	483x44x124
E440RG2F_01M50BN	1U 19" cable management panels with front patch cord access holes, basic blank panel shaped	483x44x10
E440RG2U_01M50	2U 19" cable management panels with 5 rings	483x88x76
E440RG1F_01M50	1/2U 19" cable management panels with front patch cord access holes	483x22x100
E440RG2UFT_01M50	2U 19", Cable Management Panels with 5 Metal Rings - Finger Type	483x88x166

VERTICAL CABLE MANAGER

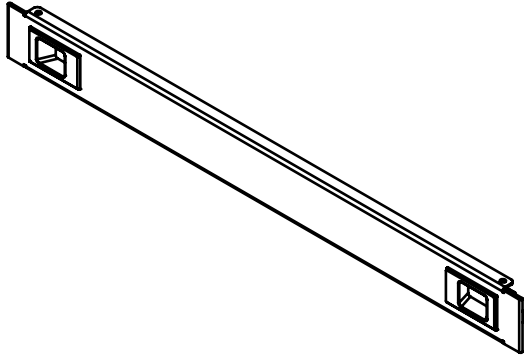


PRODUCT REFERENCE	DESCRIPTION	HxWxD (mm)
M440RG26RLY_01M50	26U Vertical cable management panel 1ea. W=135 mm	135x250x1292
M440RG36RLY_01M50	36U Vertical cable management panel 1ea. W=135 mm	135x250x1736
M440RG42RLY_01M50	42U Vertical cable management panel 1ea. W=135 mm	135x250x2003
M440RG48RLY_01M50	48U Vertical cable management panel 1ea. W=135 mm	135x250x2270
M440RG26RLYG_01M50	26U Vertical cable management panel 1ea. W=260 mm	260x250x1292
M440RG36RLYG_01M50	36U Vertical cable management panel 1ea. W=260 mm	260x250x1736
M440RG42RLYG_01M50	42U Vertical cable management panel 1ea. W=260 mm	260x250x2003
M440RG48RLYG_01M50	48U Vertical cable management panel 1ea. W=260 mm	260x250x2270

Note: Color code "M50" is RAL 9005 black, "M2" RAL 7035 light grey option is available

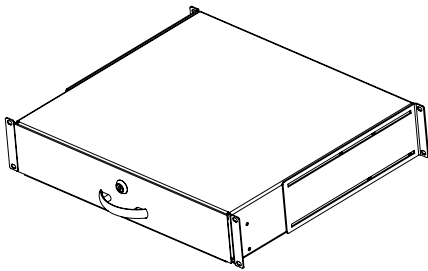
RelayRack Accessories

BLANK PANELS



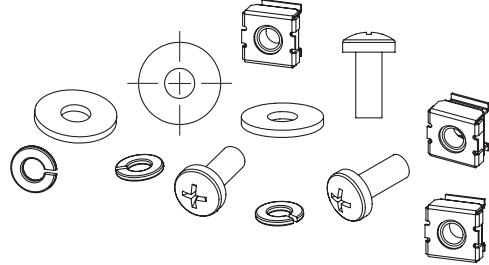
PRODUCT REFERENCE	DESCRIPTION	DIMENSIONS WxHxD (mm)
E44BPN01_0150M	1U 19" Blank panel	483x44x12
E44BPN02_0150M	2U 19" Blank panel	483x88x12
E44BPN03_0150M	3U 19" Blank panel	483x133x12
E44BPN04_0150M	4U 19" Blank panel	483x177x12
E44BPN05_0150M	5U 19" Blank panel	483x222x12
E44BPN06_0150M	6U 19" Blank panel	483x266x12
P44BPN06_01M50	6U 19" Modular plastic blank panel (ABS)	483x266x12

19" KEYBOARD DRAWER



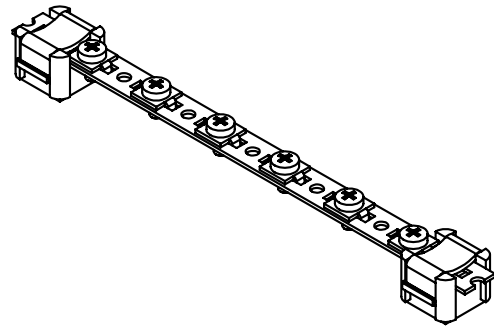
PRODUCT REFERENCE	DESCRIPTION	DIMENSIONS WxHxD (mm)
M44CEK2U_01M50	2U 19" drawer, lockable suitable up to depth=800mm. Cabinets, for D=1000 mm cabinet usage extra brackets available in package, sheet steel material and load carrying capacity is 25 kg.	483x88x400
M44CEK3U_01M50	3U 19" drawer, lockable suitable up to depth=800mm. Cabinets, for D=1000 mm cabinet usage extra brackets available in package, sheet steel material and load carrying capacity is 25 kg.	483x133x400

FIXINGS



PRODUCT REFERENCE	DESCRIPTION
KFS6X15_20	M6 caged nut, screw, washer (1set=20ea)
KFS6X15_50	M6 caged nut, screw, washer (1set=50ea)

GROUNDING KIT



PRODUCT REFERENCE	DESCRIPTION
M44PEB01	Grounding kit, 6 each earthing leads + copper busbar
M44PEB19_01	Grounding kit, 13 each earthing leads + copper busbar

Note: Color code "M50" is RAL 9005 black, "M2" RAL 7035 light grey option is available

TECHNICAL CHARACTERICS

STANDARD COLOUR

Black: RAL 9005, Gray: RAL 7035

FRAMEWORK

TOP AND BOTTOM BASE UNITS

Solid metal 2,5 mm

HORIZONTAL SUPPORT ON BASE AND TOP

Solid metal 2,5 mm

EXTENSION UNITS (D=180 MM D=300 MM)

Solid metal 2,5 mm

UPRIGHTS - FRAME

Solid metal, 1,5 mm

UPRIGHTS CONSTRUCTION

Tightly fixed into top brackets and bottom base units
6 times folded, total 7 bend surfaces

KEY FEATURES

- Main framework is of a structure which increase the mechanical resistance with maximal performance, manufactured Omega style profile system, connected to top bracket units and bottom base units with heavy duty fixing hardware ensuring framework stability. Manufactured and tested to provide axial (x, y, z) resistance that meets EN 61587-1 / 5.2.1 and 5.2.2, external impact resistance that meets EN 61587-1 / 5.3.3.
- With optional top covers, the system can give the appearance of a closet, as well as offering resistance against falling dust on to installed equipment.
- Designed for use a minimally dusty, climatized, and security controlled environment, the system provides a very cost efficient solution.
- The system is shipped in flat pack with a superior transport cost scheme.
- Levelling feet are standard for stability. The cabinet shall meet standards EN 61587-1, IEC 60917, IEC 60297 and RoHS compliant, shall be EAC and TSE certified.

PURCHASED PRODUCT CERTIFICATION

SHEET STEEL

EN 10346: 20015 DX51D+Z, EN 10130: 2006 DC01

ELECTROSTATIC POWDER COATING

ISO6860, ISO2409, ISO1520, ISO2815, ISO6272, ISO7253, ISO6270-1, ISO2812

ISO 9001, RoHS

GLASS

TS EN 12150-1, TS EN 1863-1

LOCK

IEC 62474, REACH, RoHS

CASTORS

ISO 9001, TS EN 12532, RoHS

FAN

IEC 60335-2-80:2002, IEC 60335-1:2010

TESTS AND COMPLIED STANDARDS

TESTS AND COMPLIED STANDARDS

- 1) ISO 9001:2015 Quality Management System
- 2) ISO 14001:2015 Environmental Management System
- 3) ISO 27001:2013 Information Security Management System
- 4) ISO 45001:2018 Occupational Health and Safety Management System
- 5) 19" device mounting uprights IEC 297-1
- 6) EN 61587-1 Mechanical structures for electronic equipment.
- 7) All cabinet sizes complies with IEC 297-2.

RESISTANCE TO ENVIRONMENTAL CONDITIONS AND CORROSION;

STABILITY, MECHANICAL SAFETY, RESISTANCE TO STATIC, DYNAMIC AND MECHANICAL LOADS;

RESISTANCE TO VIBRATION, MECHANICAL SHOCK AND IMPACT;

DEGREES OF MECHANICAL PROTECTION PROVIDED BY THE ENCLOSURE (IP20);

ELECTRICAL GROUNDING CONTINUITY;

FIRE AND FLAME RESISTANCE;

Have been tested according to the standard " EN 61587-1" with the normative standards: IEC 60917, IEC 60297, IEC 60068-1, IEC 60068-2, IEC 60695-11-10, IEC 60950-1, contained and certified by the notified organizations::

TSE CERTIFICATE NO

003788-TSE-08/02

EAC CERTIFICATE NO

0443637, 0776963, 0345864, 0401678, 0776653

CORROSION

ISO 9227 Standard complied by the test report METALTEK AB-0547-T / 0157-1

TRANSPORT

ETS 300 019-1-2 Class 2.3 Comply with internal testing

STORAGE

ETS 300 019-1-1 Class 1.2 Comply with internal testing

SURFACE FINISH

Electrostatic powder coated c/with surface treatment , 80 +/- 5 micron paint thickness