

# EUROline free standing



Reduce  
**%50\***  
shipment  
cost

- Real flatpack design
- Max. 10 min\*\* for assembly
- Easy to carry and transport
- Easy to maintenance
- High volume capacity for large cable bundles

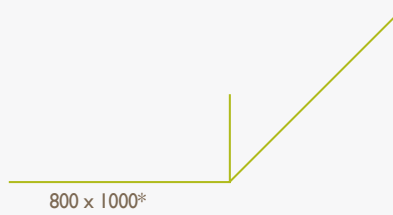
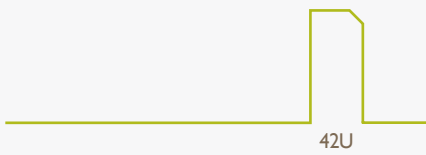
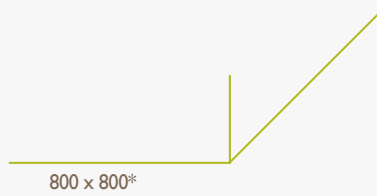
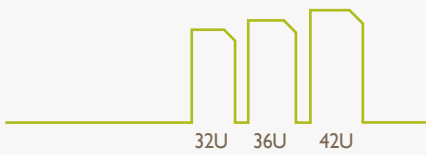
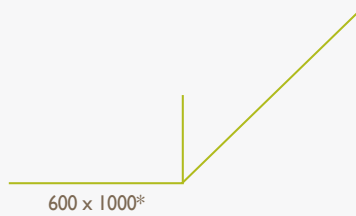
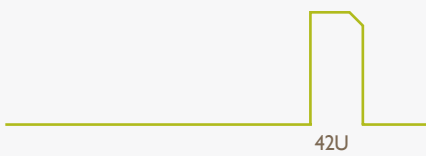
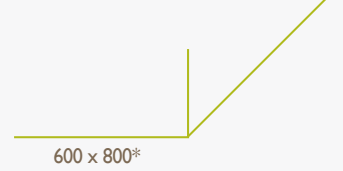
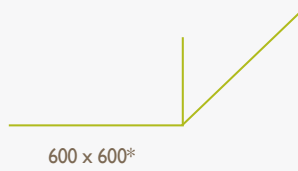
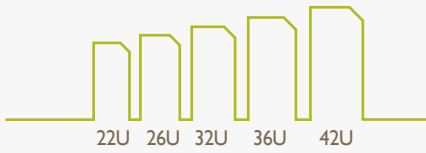
\* Mixed quantity and mixed size

\*\* Measured values by Estap. It can change according to size of the enclosure



600x600 - 600x800 - 600x1000 - 800x600 - 800x800 - 800x1000

## EUROline free standing enclosures



**“Openable, lockable, removable side panels, front and rear doors”**

- 19”
- MODULAR STRUCTURE
- READY FOR ASSEMBLY
- STURDY, RUGGED STEEL CONSTRUCTION
- REDUCE THE SHIPMENT COST
- FLATPACK

\* Please check drawing pages for cabinet sizes.

### STANDARD DIMENSIONS:

Heights: 22U, 26U, 32U, 36U, 42U  
 Width: 600 mm  
 Depth: 645 mm and 825 mm

Heights: 42U  
 Width: 600 mm  
 Depth: 1005 mm

Heights: 32U, 36U, 42U  
 Width: 780 mm  
 Depth: 825 mm

Height: 42U  
 Width: 780 mm  
 Depth: 1005 mm

**LOAD CARRYING CAPACITY:** 400 kg

### COLOUR:

RAL 9005 black



RAL 7035 light grey



### STANDARDS:

ISO 9001: 2008 Quality Management Systems  
 ISO 14001: 2004 Environmental Management System  
 19" mounting to IEC 297-1  
 EN 61587-1 mechanical structures (cabinets for electronic equipment)  
 Overall cabinet dimensions for IEC 297-2

## KEY FEATURES

- High quality production
- Aesthetic look
- Sturdy, rugged steel construction
- Openable, lockable, removable side panels, front and rear doors.
- Secure, tempered front door, with left&right metal frames, and handle type lock.
- Easy to maintain, high volume capacity for large cable bundles.
- Upper case is suitable for fan units and brushed cable entry.
- Welded corners and sturdy construction.
- Bottom case is completely open for large cable entries. Bottom plate with sliding type Estap standard cable entry, can be used to close case.
- Rugged steel for 19" mounting angles
- Reduce shipment costs %50\*
- Easy to transport
- Strong protection against transport damages
- Easy to assemble
- After mounting, cardboard packaging and wooden pallets may be retained and reused for future shipments.

\* Mixed quantity and mixed size





## STEPS TO SELECT THE RIGHT FREE STANDING ENCLOSURE

In addition to Estap product part numbers, the options mentioned on the next page are to supply the right definition to meet your requirements.

Each wall mounted and free standing enclosure section in the catalogue, has a "Main part numbers" and "Options" sections.

The below example explains how to select the right options.

### The product part number has the below structure:

Product range name + U height (HHU) + Width&Depth (WD)

### The product options have the below structure:

Colour option (MX) + Front door option (FX) + Rear door option (RX)

## HOW TO SELECT THE OPTIONS

### Step 1

Please choose product part number.

For example: **EU42U68**

### Step 2

Please choose the colour from the table and place it after the part number.

For example: **EU42U68 - M02** (MX=Look at the MX colour options on the next page)

### Step 3

Please choose the front door from the table and place it after **MX** colour.

For example: **EU42U68 - M02 - F18** (FX= Look at the FX front door options on the next page)

### Step 4

Please choose the rear door from the table and place it after **FX** front door option.

For example: **EU42U68 - M02 - F18 - R10** (RX= Look at the RX rear door options on the next page)

**MAIN PART NUMBER STRUCTURE**

**EU - HHU - WD**

Product range EUROline	U height	Width & depth
EU	HHU	WD
EU	22U	66
	26U	68
	32U	
	36U	
	42U	

- EU** : EUROline free standing product range
- HHU** : "U" height
- WD** : Width and depth

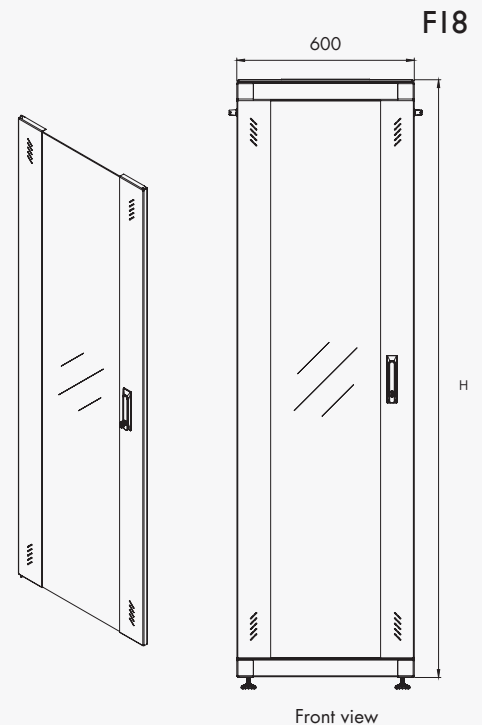
**OPTIONS**

**MX - FX - RX**

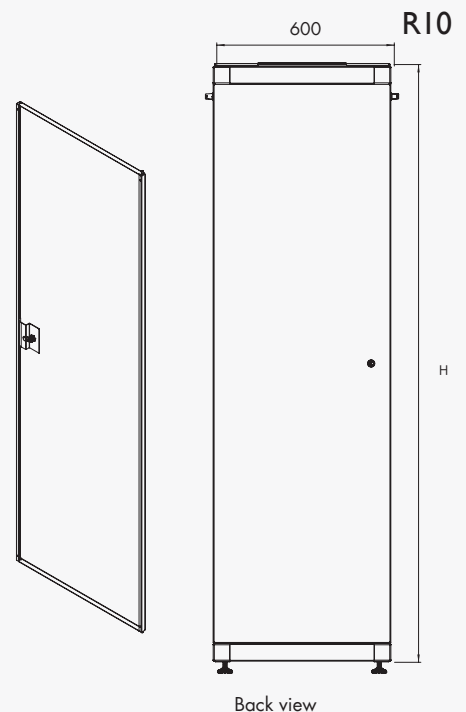
Colour	Front door option	Rear door option
MX	FX	RX
M01 M02	F18	R10

- MX** : Colour options
  - M01= RAL 9005 black ●
  - M02= RAL 7035 light grey ●
- FX** : Front door option
  - F18= Single opening shatter proof glass door with left and right metal frame slotted, single point handled locking
- RX** : Rear door option
  - R10= Single opening solid metal rear door with barrel type lock unit, single point

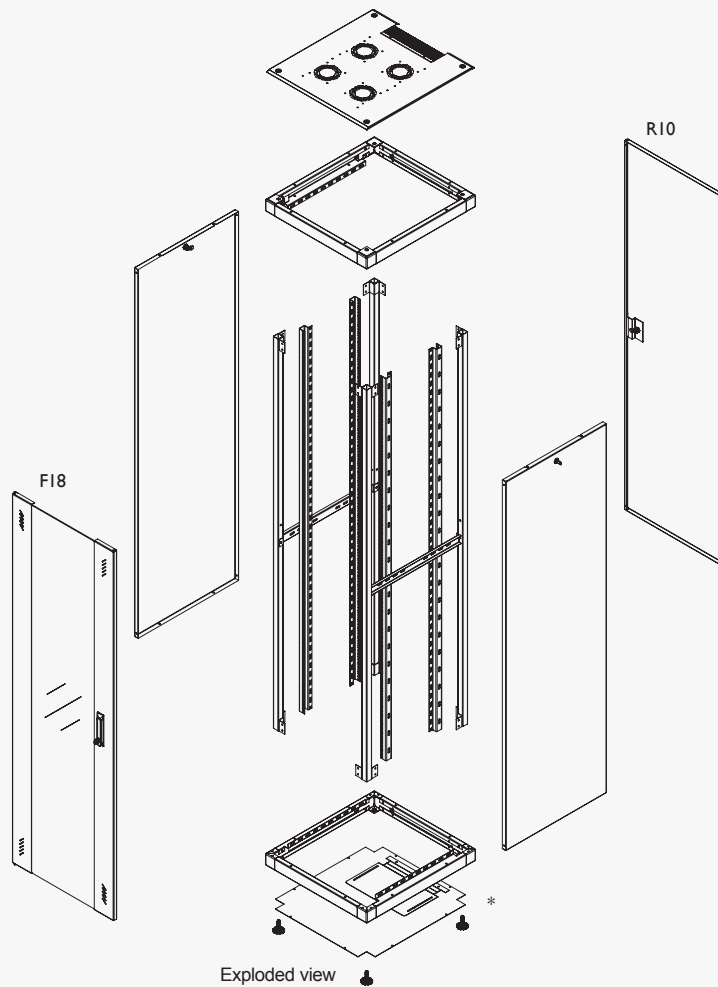
**FX**  
Front door option



**RX**  
Rear door option



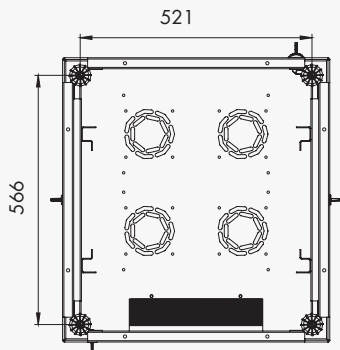
H= Enclosure height



## EUROline free standing cabinets 19" 600 x 645 mm

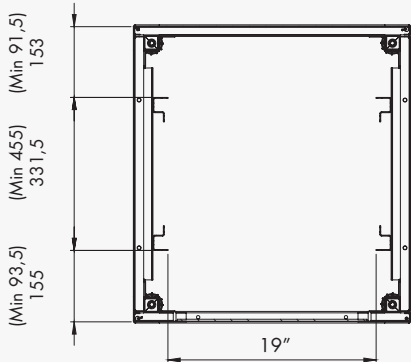
Part number	Product definition (mm)	U Size	Width: overall (mm)	Depth: overall (mm)	Depth: max mounting profile (mm)	Height: vertical mounting profile (mm)	Height: without levelling feet (mm)	Height: with levelling feet (mm)	Height: with casters (mm)
<b>EU22U66</b>	22U 600x645	22	600	645	331,5	1070	1135	1150	1215
<b>EU26U66</b>	26U 600x645	26	600	645	331,5	1245	1310	1325	1370
<b>EU32U66</b>	32U 600x645	32	600	645	331,5	1515	1575	1590	1655
<b>EU36U66</b>	36U 600x645	36	600	645	331,5	1700	1755	1770	1825
<b>EU42U66</b>	42U 600x645	42	600	645	331,5	1960	2025	2040	2105

\* Bottom cover plate is an optional accessory.

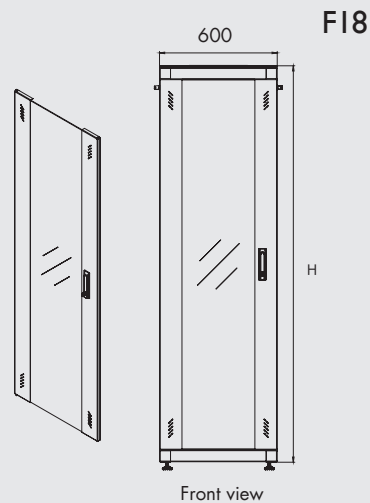


Bottom view\*

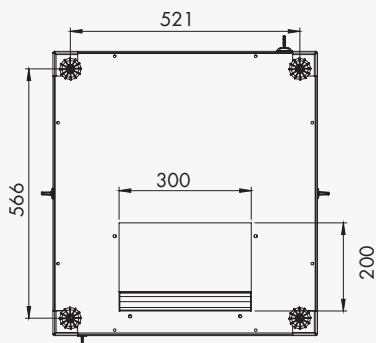
**Note:** \*Bottom is empty, the top of the enclosure appears



Mounting profile

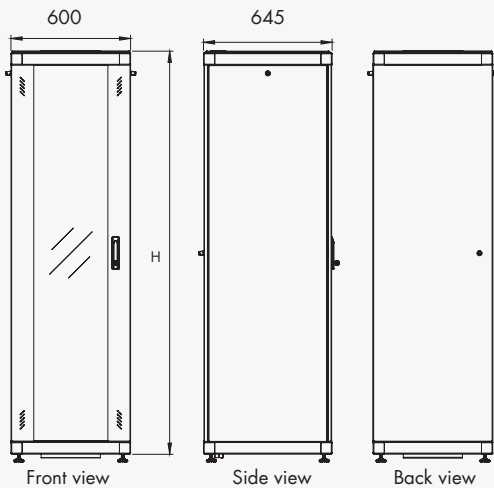


Front view



Bottom view\*

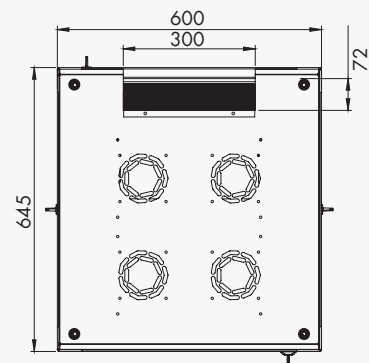
**Note:** \* Bottom cover plate is an optional accessory



Front view

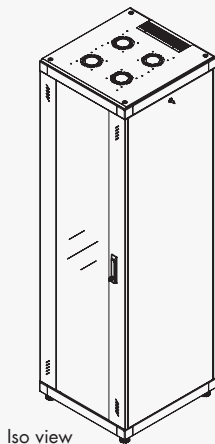
Side view

Back view

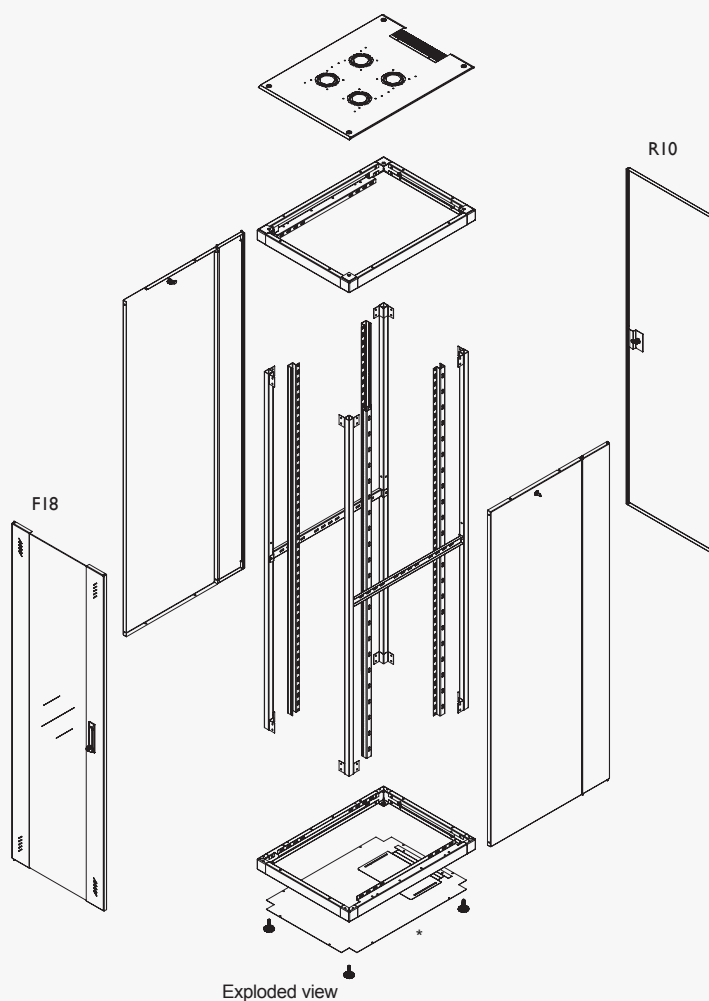


Top view

H= Enclosure height



Iso view

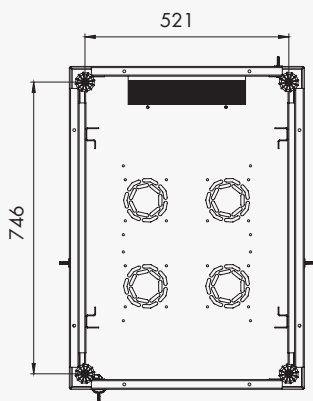


## EUROline free standing cabinets 19" 600 x 825 mm

Part number	Product definition (mm)	U Size	Width: overall (mm)	Depth: overall (mm)	Depth: max mounting profile (mm)	Height: vertical mounting profile (mm)	Height: without levelling feet (mm)	Height: with levelling feet (mm)	Height: with casters (mm)
<b>EU22U68</b>	22U 600x825	22	600	825	511,5	1070	1135	1150	1215
<b>EU26U68</b>	26U 600x825	26	600	825	511,5	1245	1310	1325	1395
<b>EU32U68</b>	32U 600x825	32	600	825	511,5	1515	1575	1590	1655
<b>EU36U68</b>	36U 600x825	36	600	825	511,5	1700	1755	1770	1840
<b>EU42U68</b>	42U 600x825	42	600	825	511,5	1960	2025	2040	2110

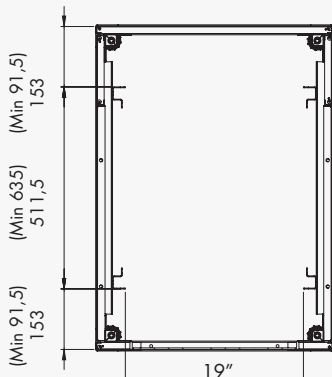
\*The bottom cover plate is an optional accessory.



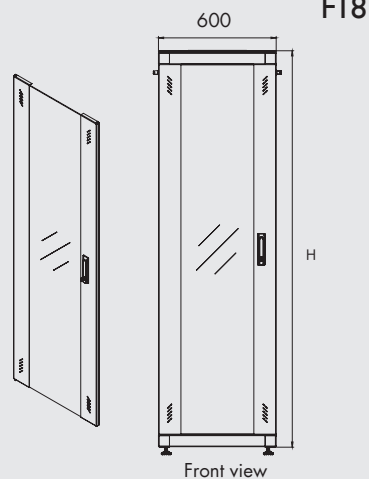


Bottom view\*

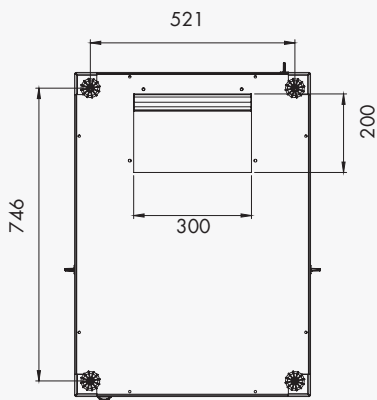
**Note:** \* Bottom is empty, the top of the enclosure appears



Mounting profile

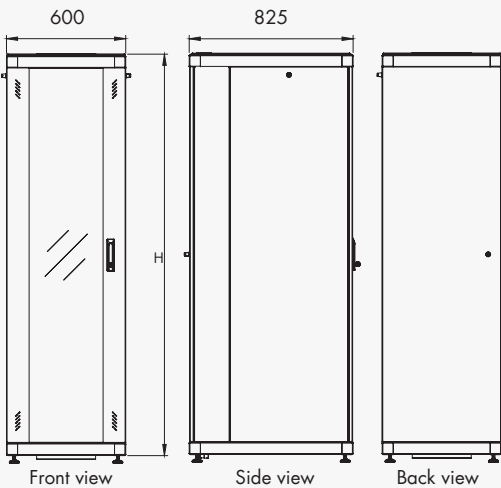


Front view



Bottom view\*

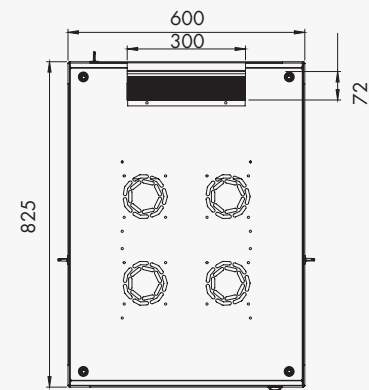
**Note:** \* Bottom cover plate is an optional accessory



Front view

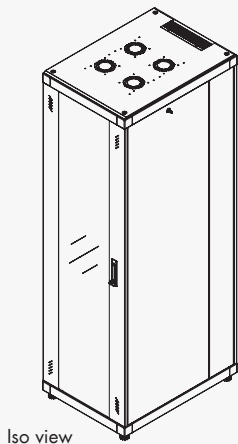
Side view

Back view



Top view

H= Enclosure height



Iso view



## STEPS TO SELECT THE RIGHT FREE STANDING ENCLOSURE

In addition to Estap product part numbers, the options mentioned on the next page are to supply the right definition to meet your requirements.

Each wall mounted and free standing enclosure section in the catalogue, has a "Main part numbers" and "Options" sections.

The below example explains how to select the right options.

### The product part number has the below structure:

Product range name + U height (HHU) + Width&Depth (WD)

### The product options have the below structure:

Colour option (MX) + Front door option (FX) + Rear door option (RX)

## HOW TO SELECT THE OPTIONS

**Step 1** - Please choose product part number.

For example: **EU42U6I**

**Step 2** - Please choose the colour from the table and place it after the part number.

For example: **EU42U6I - M02** (MX=Look at the MX colour options on the next page)

**Step 3** - Please choose the front door from the table and place it after **MX** colour.

For example: **EU42U6I - M02 - F18** (FX= Look at the FX front door options on the next page)

**Step 4** - Please choose the rear door from the table and place it after **FX** front door option.

For example: **EU42U6I - M02 - F18 - R10** (RX= Look at the RX rear door options on the next page)

**MAIN PART NUMBER STRUCTURE**

**EU - HHU - WD**

Product range EUROline	U height	Width & depth
EU	HHU	WD
EU	42U	61

- EU** : EUROline free standing product range
- HHU** : "U" height
- WD** : Width and depth

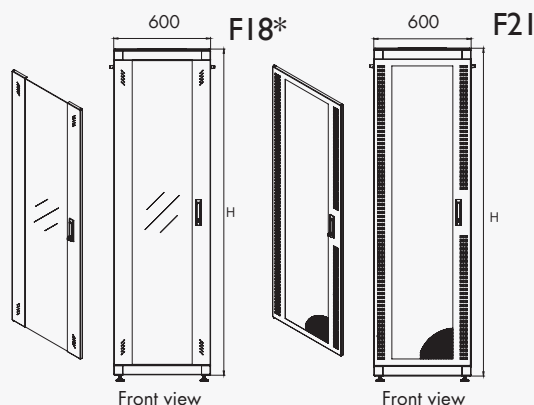
**OPTIONS**

**MX - FX - RX**

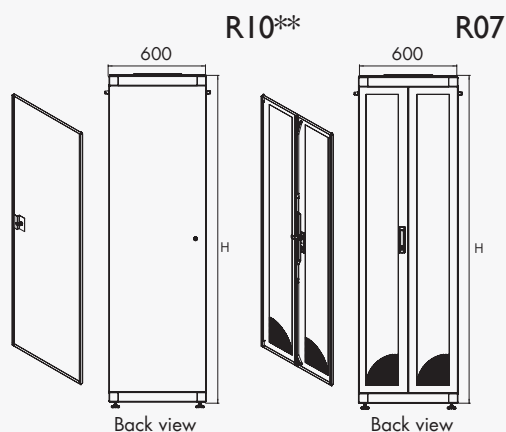
Colour options	Front door options	Rear door options
MX	FX	RX
M01	F18*	R10**
M02	F21	R07

- MX** : Colour options
  - M01** = RAL 9005 black
  - M02** = RAL 7035 light grey
- FX** : Front door options
  - F18\*** = Single opening shatter proof glass door with left and right metal frame slotted, single point handled locking
  - F21** = Single opening %63 perforated front door, full slotted frame, single point handled locking
- RX** : Rear door options
  - R10\*\*** = Single opening solid metal rear door with barrel type lock unit, single point locking
  - R07** = Double opening complete framed % 63 perforated front door, 3 point handled locking

**FX**  
Front door options

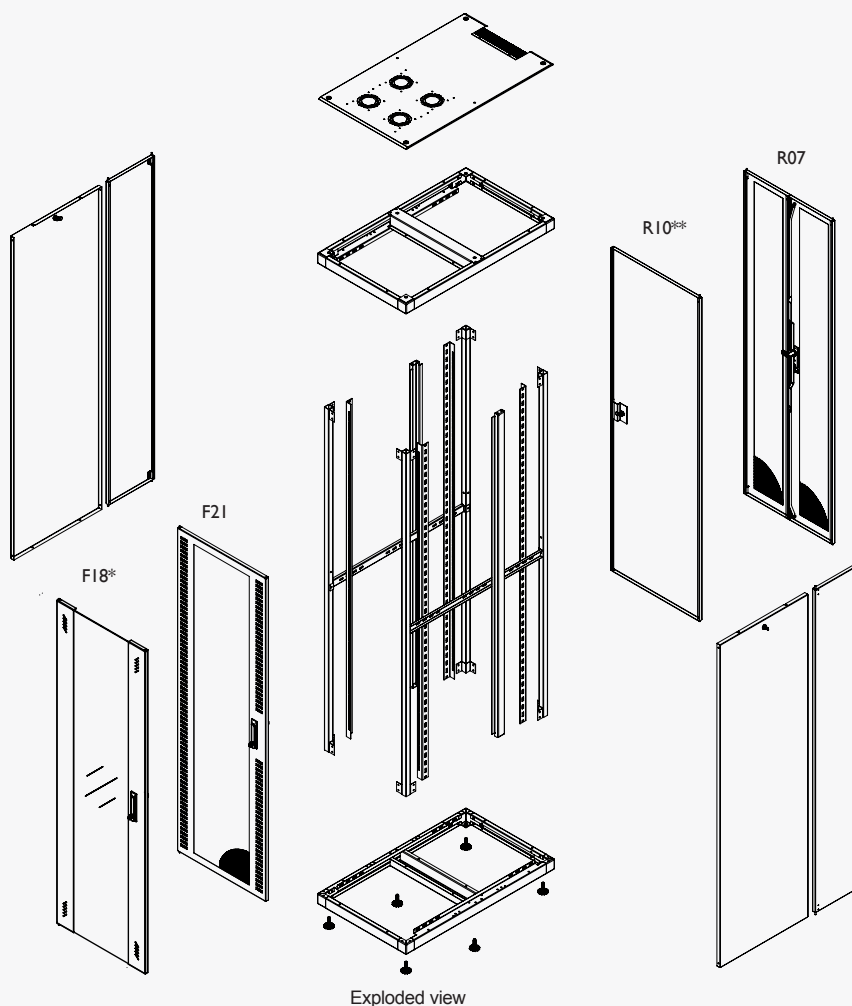


**RX**  
Rear door options



H= Enclosure height

\* F18 is the standard front door.  
\*\* R10 is the standard rear door.

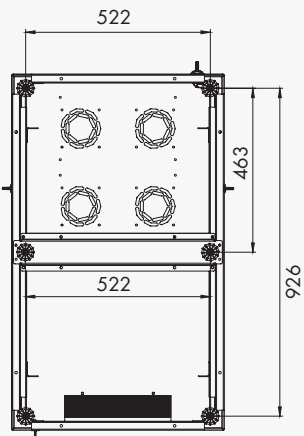


## EUROline free standing cabinets 19" 600 x 1005 mm

Part number	Product definition (mm)	U Size	Width: overall (mm)	Depth: overall (mm)	Depth: max mounting profile (mm)	Height: vertical mounting profile (mm)	Height: without levelling feet (mm)	Height: with levelling feet (mm)	Height: with casters (mm)
EU42U61	42U 600x1005	42	600	1005	702,5	1960	2025	2040	2110

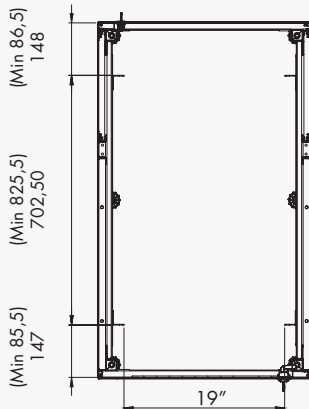
\* F18 is the standard front door.

\*\* R10 is the standard rear door.

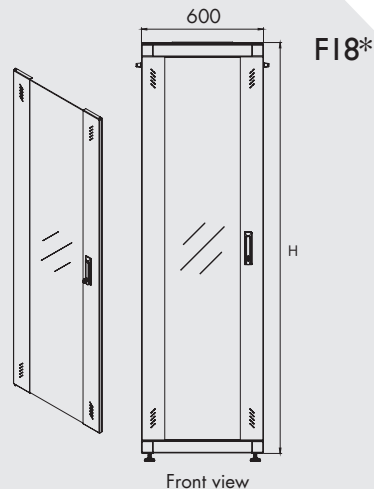


Bottom view\*

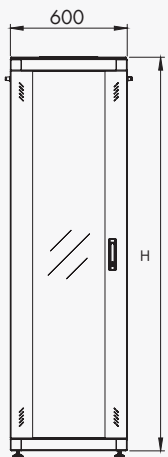
**Note:** \*Bottom is empty, the top of the enclosure appears



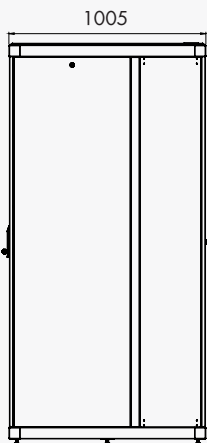
Mounting profile



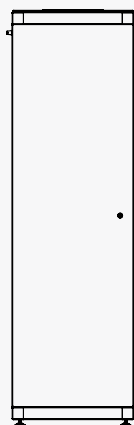
Front view



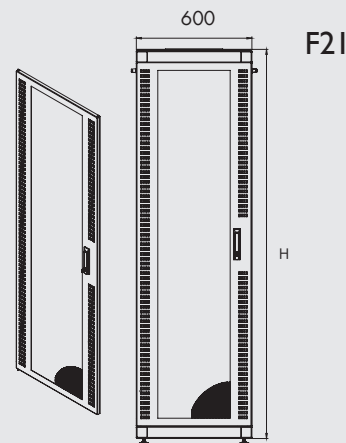
Front view



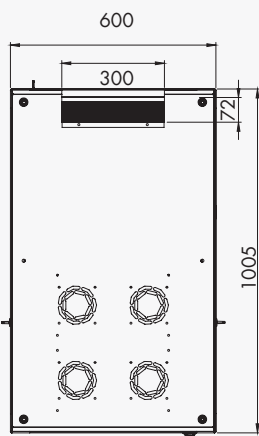
Side view



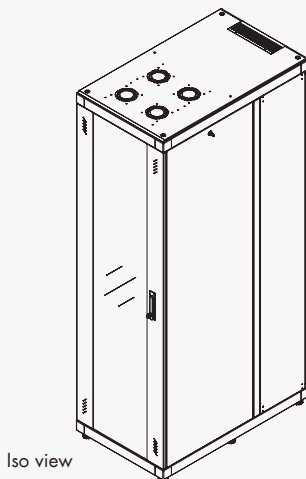
Back view



Front view



Top view



Iso view

H= Enclosure height

\* F18 is the standard front door.



## STEPS TO SELECT RIGHT FREE STANDING ENCLOSURE

In addition to Estap product part numbers, the options mentioned on the next page are to supply the right definition to meet your requirements.

Each wall mounted and free standing enclosure section on the catalogue, has a “Main part numbers” and “Options” sections.

The below example explains how to select the right options.

### The product part number has the below structure:

Product range name + U height (HHU) + Width&Depth (WD)

### The product options have the below structure:

Colour option (MX) + Front door option (FX) + Rear door option (RX)

## HOW TO SELECT THE OPTIONS

### Step 1

Please choose product part number.

For example: **EU42U88 or EU42U81**

### Step 2

Please choose the colour from the table and place it after the part number.

For example: **EU42U88 - M02** (MX=Look at the MX colour options on the next page) **or**  
**EU42U81 - M02** (MX=Look at the MX colour options on the next page)

### Step 3

Please choose the front door from the table and place it after **MX** colour.

For example: **EU42U88 - M02 - F20** (FX= Look at the FX front door options on the next page) **or**  
**EU42U81 - M02 - F20** (FX= Look at the FX front door options on the next page)

### Step 4

Please choose the rear door from the table and place it after **FX** front door option.

For example: **EU42U88 - M02 - F20 - R12** (RX= Look at the RX rear door options on the next page) **or**  
**EU42U81 - M02 - F20 - R12** (RX= Look at the RX rear door options on the next page)

**MAIN PART NUMBER STRUCTURE**

**EU - HHU - WD**

Product range EUROline	U height	Width & depth
EU	HHU	WD
EU	32U	88
	36U	
	42U	
	42U	81

**EU** : EUROline free standing product range

**HHU** : "U" height

**WD** : Width and depth

**OPTIONS**

**MX - FX - RX**

Colour options	Front door options	Rear door options
MX	FX	RX
M01	F20**	R12***
M02	F19*	R11
	R08*	R08*
		F19*

**MX** : Colour options

**M01**= RAL 9005 black

**M02**= RAL 7035 light grey

**FX** : Front door options

**F20\*\***= Double opening shatter proof glass door with left and right metal frame slotted, 3 point handled locking

**F19**= Single opening 63 perforated front door, full slotted frame, single point handled locking

**R08\***= Double opening complete framed 63 perforated front door, 3 point handled locking

**RX** : Rear door options

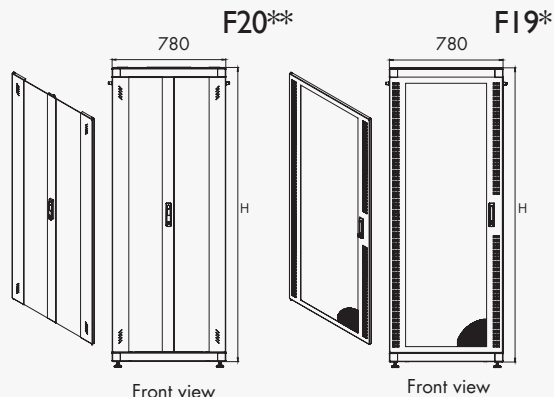
**R12\*\*\***= Double opening metal rear door with 3 point handled locking

**R11**= Single opening solid metal rear door with barrel type lock unit, single point lock unit

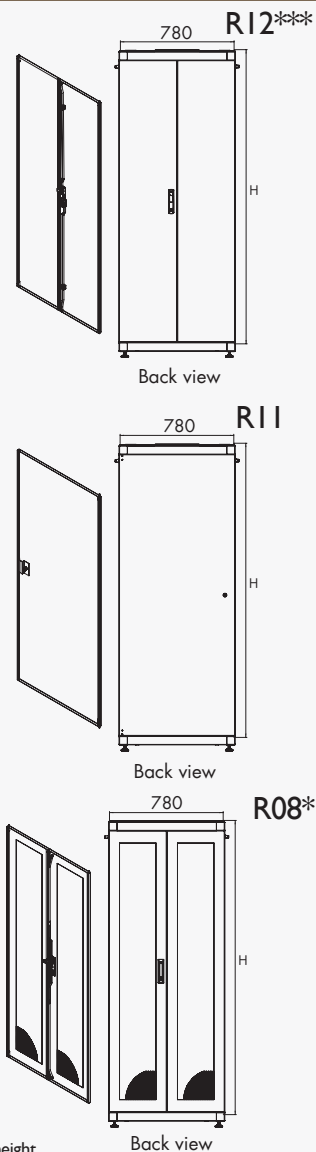
**R08\***= Double opening complete framed 63 perforated front door, 3 point handled locking

**F19\***= Single opening 63 perforated front door, full slotted frame, single point handled locking

**FX**  
Front door options



**RX**  
Rear door options

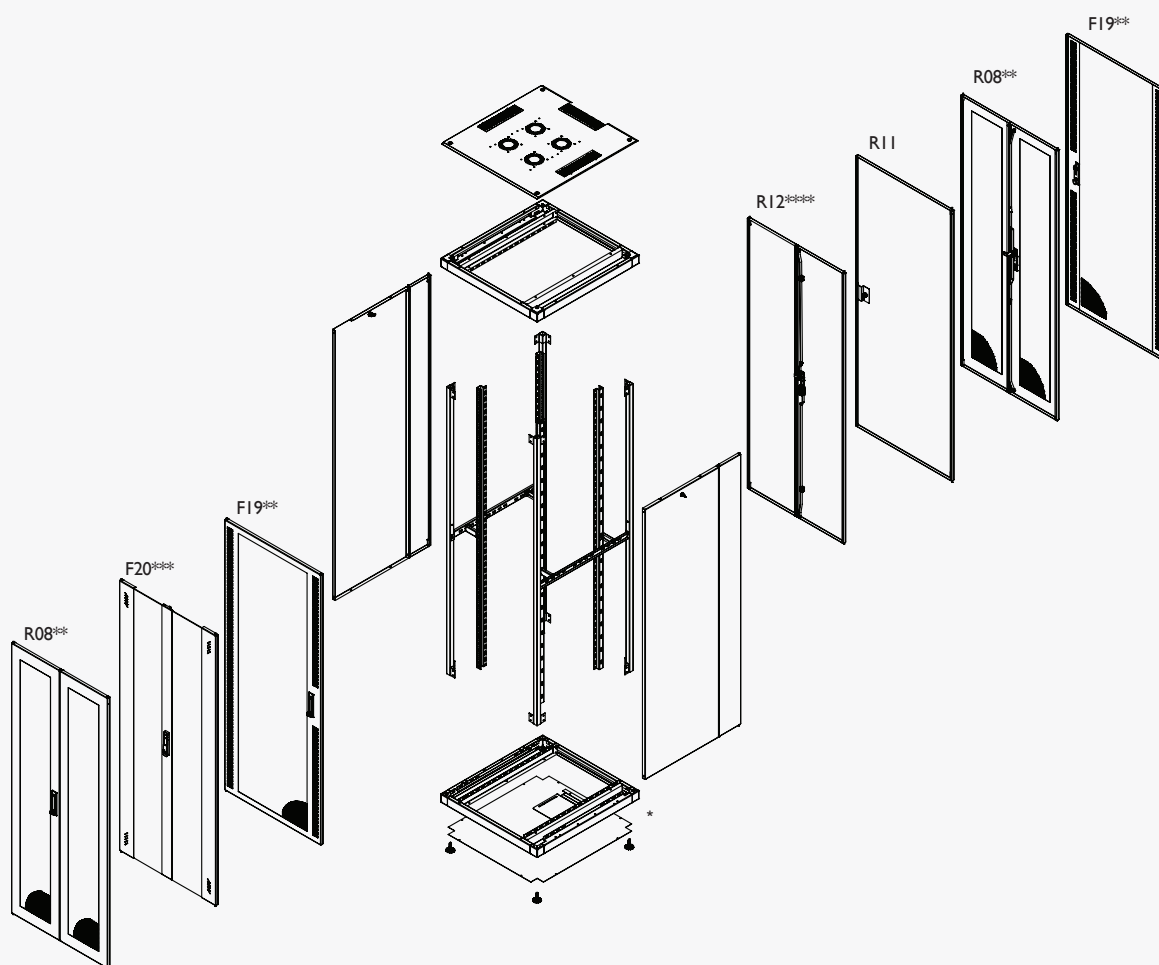


H= Enclosure height

\* R08 and F19 can be used as both front and rear door.

\*\* F20 is the standard front door.

\*\*\* R12 is the standard rear door.



Exploded view

## EUROline free standing cabinets 19" 780 x 825 mm

Part number	Product definition (mm)	U Size	Width: overall (mm)	Depth: overall (mm)	Depth: max mounting profile (mm)	Height: vertical mounting profile (mm)	Height: without levelling feet (mm)	Height: with levelling feet (mm)	Height: with casters (mm)
<b>EU32U88</b>	32U 780x825	32	780	825	511,5	1515	1525	1540	1655
<b>EU36U88</b>	36U 780x825	36	780	825	511,5	1630	1755	1770	1840
<b>EU42U88</b>	42U 780x825	42	780	825	511,5	1960	2025	2040	2110

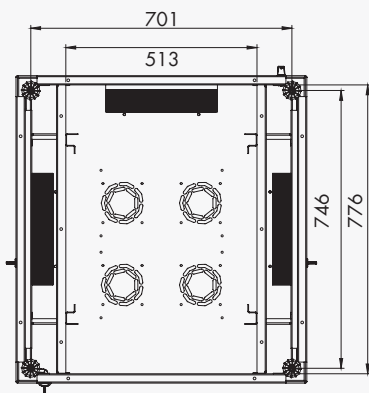
\* The bottom cover plate is optional.

\*\* R08 and F19 can be used as both front and door rear door.

\*\*\* F20 is the standard front door.

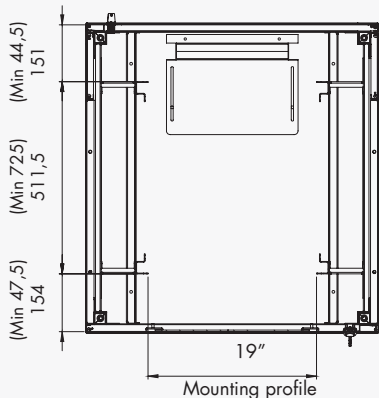
\*\*\*\* R12 is the standard rear door.



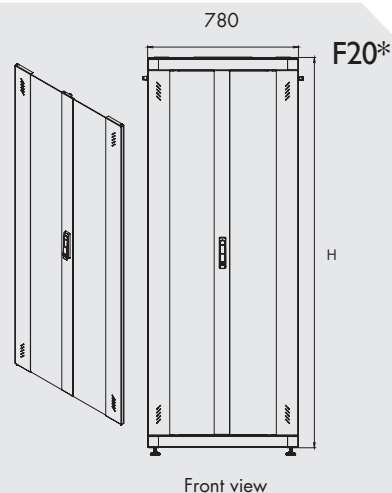


Bottom view\*

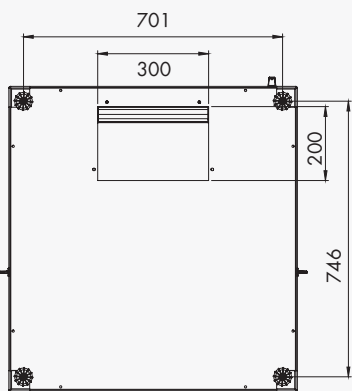
**Note:** \*Bottom is empty, the top of the enclosure appears



Mounting profile

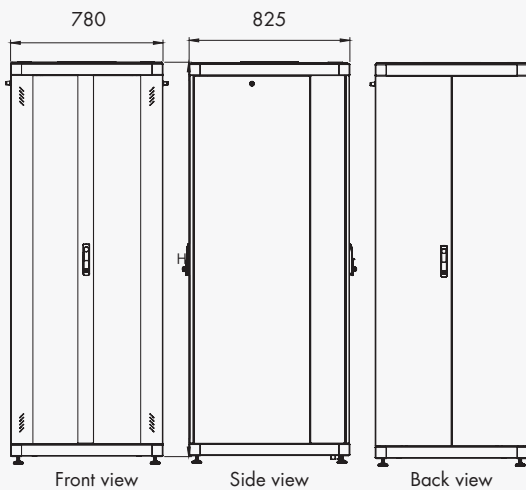


Front view



Bottom view

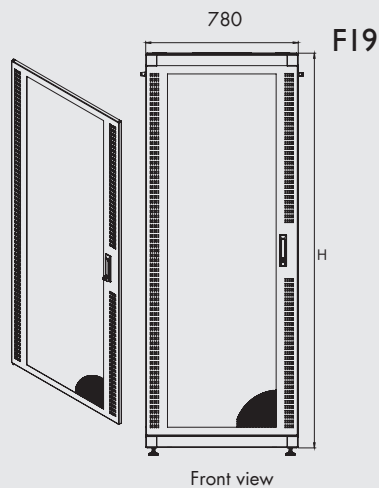
**Note:** Bottom cover plate is an optional accessory



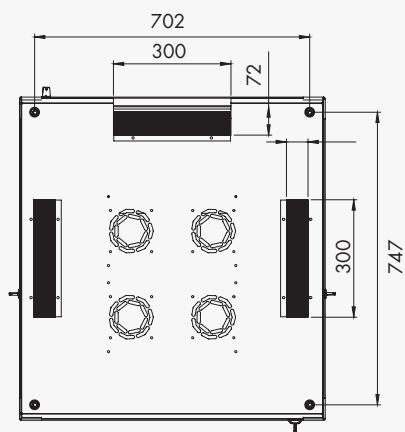
Front view

Side view

Back view

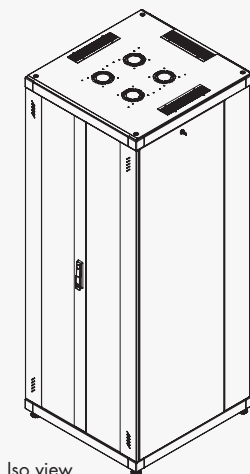


Front view

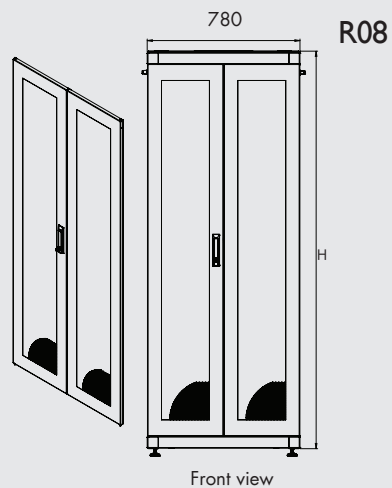


Top view

H= Enclosure height

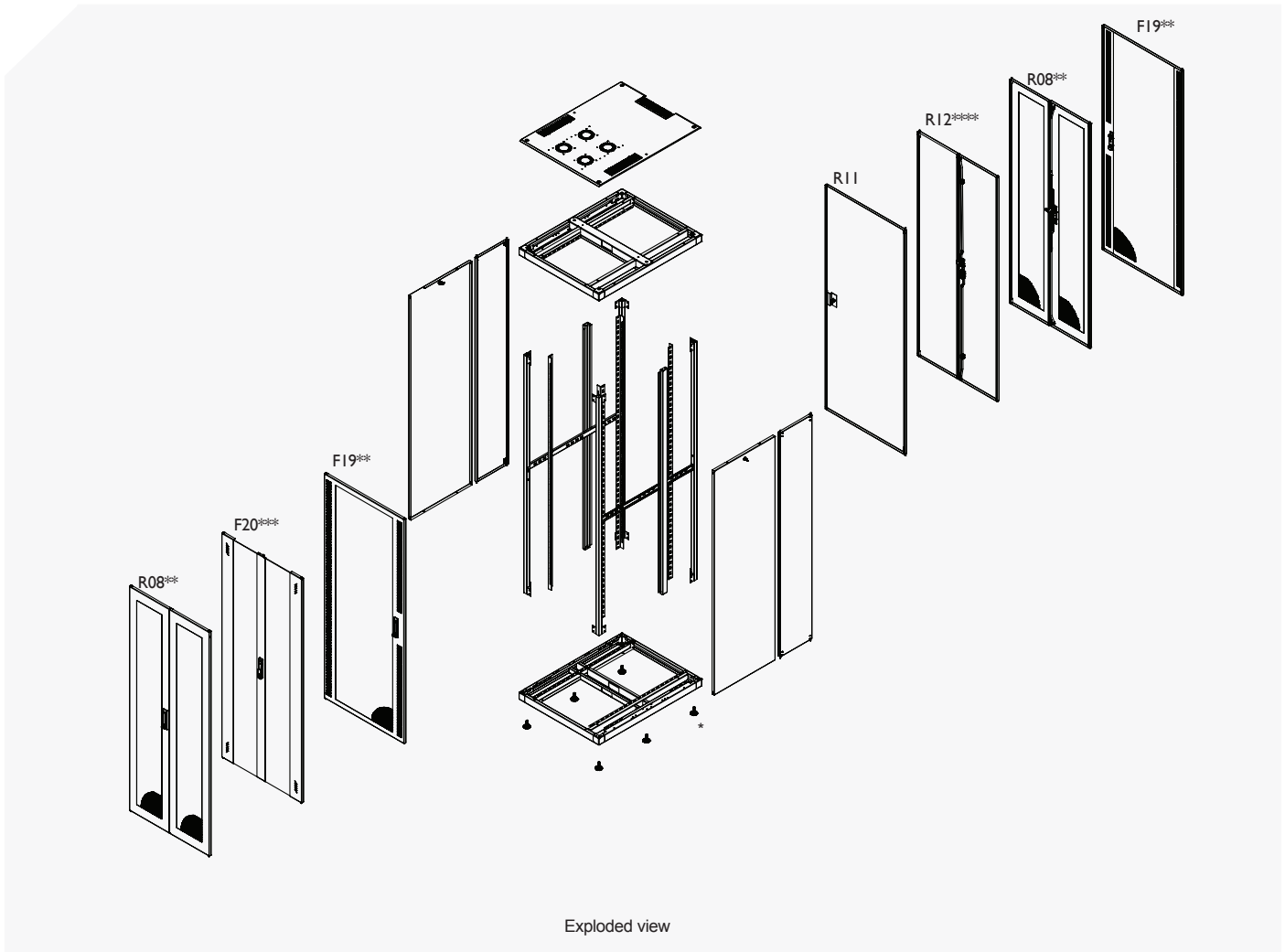


Iso view



Front view

\* F20 is the standard front door.



## EUROline free standing cabinets 19" 780 x 1005 mm

Part number	Product definition (mm)	U Size	Width: overall (mm)	Depth: overall (mm)	Depth: max mounting profile (mm)	Height: vertical mounting profile (mm)	Height: without levelling feet (mm)	Height: with levelling feet (mm)	Height: with casters (mm)
<b>EU42U81</b>	42U 780x1005	42	780	1005	704,5	1960	2025	2040	2110

\* The bottom cover plate is optional.

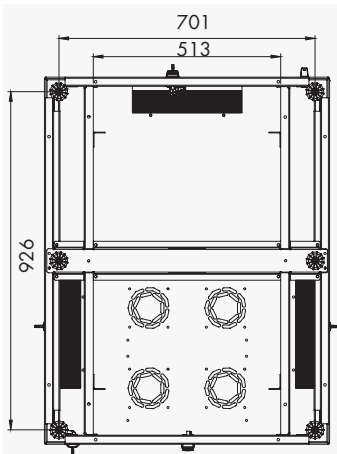
\*\* R08 and F19 can be used as both front and door rear door.

\*\*\* F20 is the standard front door.

\*\*\*\* R12 is the standard rear door.

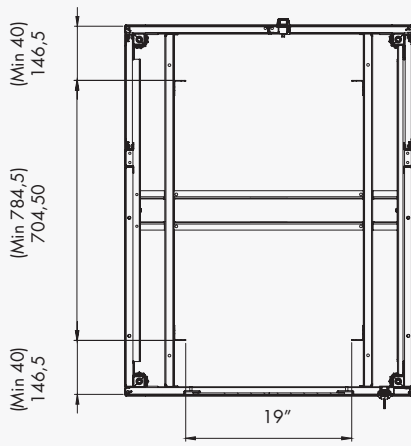
TECHNICAL DRAWINGS FOR

800x1000 - 42U

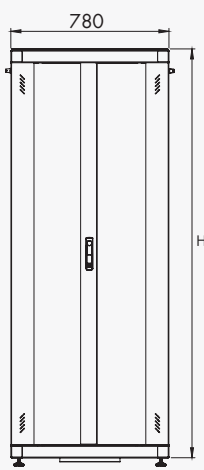
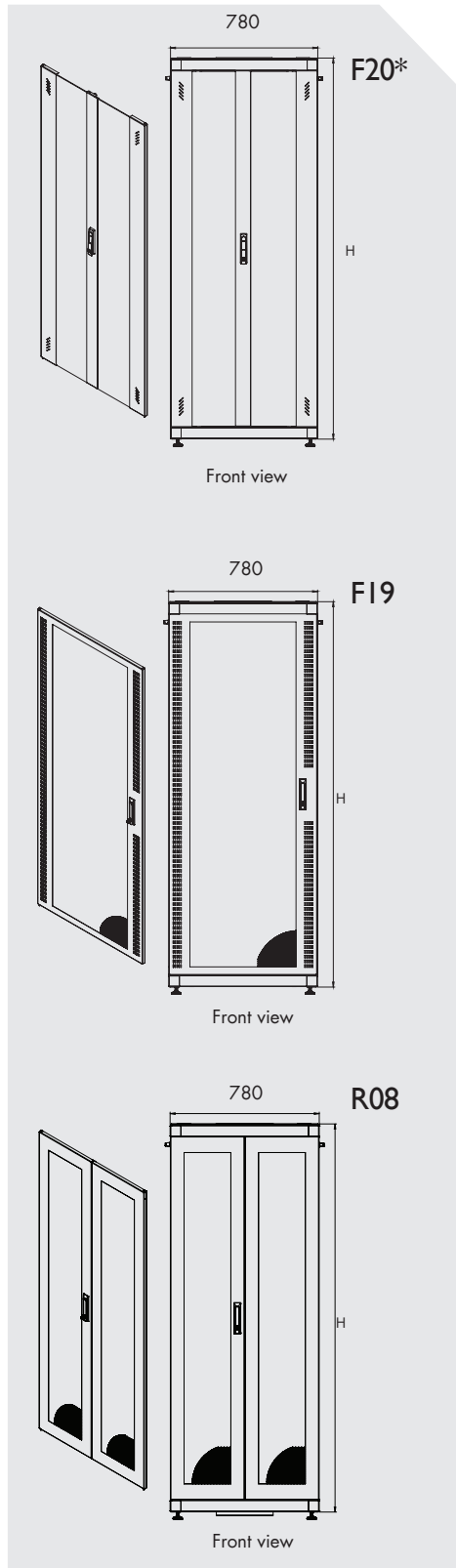


Bottom view\*

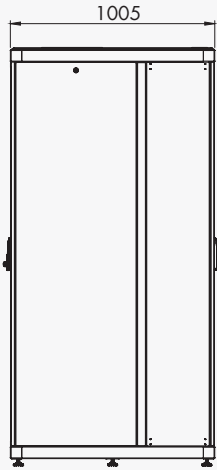
**Note:** \*Bottom is empty, the top of the enclosure appears



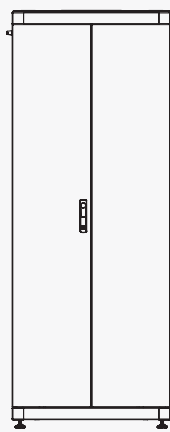
Mounting profile



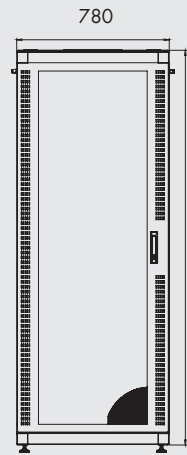
Front view



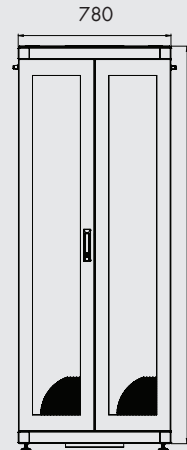
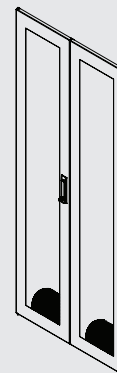
Side view



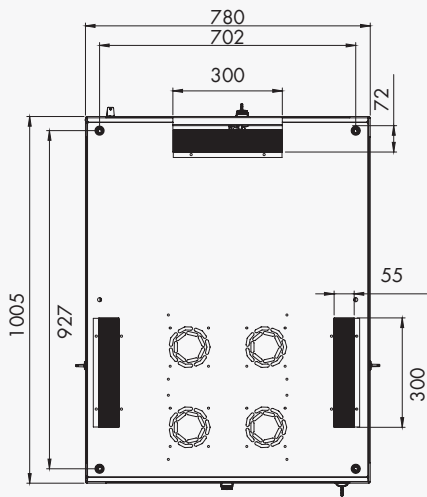
Back view



Front view



Front view



Top view

H= Enclosure height



Iso view

\* F20 is the standard front door.



### TESTS AND CERTIFICATIONS

#### Environment

EN61587-1/4.2, IEC60068-2-1, IEC60068-2-2, IEC60068-2-30, IEC60917 and IEC60297

#### Industrial environment

EN61587-1/4.3, IEC60068-2-42, IEC60068-2-43 and IEC60068-2-49, IEC60068-2-1, IEC60917 and IEC60297

#### Statical mechanical structure load test

EN61587-1 / 5.2.1, IEC60917 and IEC60297

#### Statical mechanical structure stability

EN61587-1 / 5.2.2, IEC60917 and IEC60297

#### Dynamic load, vibration and mechanical stroke

EN61587-1 / 5.3.1, EN61587-1 / 5.3.3, IEC60917, IEC60297, IEC62208

#### Grounding continuity

EN61587-1 / 6.2, IEC60917 and IEC60297

#### Fire and Flame Resistance

EN61587-1 / 6.3, IEC60917 and IEC60297

#### Corrosion

ISO9227 and ASTM B 117-85, IEC60917 and IEC60297

#### IP protection degree

IP00. When bottom cover plate is used, it becomes IP20  
IP20 accordingly EN61587-1 / 6.4, IEC60529, IEC60917 and IEC60297

#### Transportation

ETS300019-1-2 Class2.3

#### Storage

ETS300019-1-1 Class1.2

#### Security

EN60950\_LVD

### PURCHASED PRODUCT CERTIFICATIONS

#### Sheet steel

DIN EN 10130 – 99 Ereğli DC- 01 6112, 7122, RoHS

#### Electrostatic powder coating

ISO 9001, ISO 2178, ISO 2813, ISO 6272, ISO 8130-5, ISO 8130-3, RoHS

#### Fan

ISO 9001, CE (89/336/EEC EMC, 73/23/EEC LVD), RoHS

#### Glass

ISO 9001, EN 12150 – 1:2000 tempered and secure

#### Fixings

DIN 7985, DIN 965, DIN 7981, DIN 934, DIN 985, DIN 933, RoHS

#### Castors

TS EN 12530, TS EN 12532, RoHS

#### Lock

DIN 1743, DIN 53571, RoHS

### KEY FEATURES

Main profile vertical (framework) has a structure which increases mechanical resistance with aesthetic appearance and a specially closed profile system of 30x30 mm from automation industry. Folded with an angle of 90 degree: The corner joints are welded with 4 fold connection brackets. The main profile vertical (framework) connects to top and bottom case with heavy duty 5 fold bended profile system. A total of 20 folds provide stability for the top and bottom case. Additionally, at 600x1000 and 800x1000 mm sizes a 5 fold (bend surface) bracket system provides additional stability, providing a 25 fold (bent surface) design criteria for the frame. Manufactured and tested to provide axial (x, y, z) resistance that meets EN 61587-1 / 5.2.1 and 5.2.2, and external impact resistance that meets EN 61587-1 / 5.3.3.

Using a folded profile system for structure, the bottom and upper case are connected to the vertical profile system using heavy duty screws which provide modularity. Bottom case if fully open for large cable bundles to be placed; if required to close the bottom, a cover plate can be purchased as an optional accessory with sliding type edged cable entry panel.

The rubber edge on the cable access plate and sliding structure, allows cables to be placed into the cabinet and fixed inside with no damage.

For W=600 mm enclosure rear door is single solid metal, removable and lockable. Integral locking is single point barrel type locking system. For W=800 mm enclosure rear door in double opening, complete metal and 3 point handled locking. For options please see the related diagrams and technical charts On pages 71-77-81.

Rear doors can be opened up to 220 degrees.

Side panels have a structure that can be opened and removed with a key and are lockable and removable. Side panels are consist of 2 piece side panels on each side for D=1000 mm range due to easy handling and maintenance needs. Original functional side panel is lockable and removable as mentioned above; the smaller side panel is fixed from inner side with screws. Within this engineering construction the original functional side panel becomes easy to carry while installation and maintenance is in process.

Front doors are single opening, left and right metal framed glass door, single point handled locking on the W=600 mm series, front doors are double opening, left and right metal framed glass door, 3 point handled locking on the W=800 mm series, front door can be opened up to 220 degrees, removable and lockable with handle type locking unit. For options please see the related diagrams and technical charts on pages 71-77-81.

Vented top panel housing with a dedicated space for ventilation, fan module system allows easy installation of max. 4 fans from top.

19”(inch) mounting angles (2 ea. in front and 2 ea. in rear) are part of cabinets interior configuration and adjustable in depth. Baying is possible for side by side applications. Levelling feet are standard in shipping configuration. The cabinet meets EN 61587-1, IEC 60917, IEC 60297 standards RoHS compliancy, Gost and TSE certified.

Cabinets are manufactured in our factory which has ISO 9001:2008 Quality Assurance System and our responsibility for environment with ISO 14001:2004 Environmental Management System.

## TECHNICAL SPECIFICATIONS

### Custom number

85380000 / 85381000 / 853710990019

### Packs of (ea.)

1

### Shipping structure

Flat pack

### Mounting surface

Stand alone

### Load carrying capacity (kg)

500

### Certification on product

TSE, Gost

### Surface finish

Electrostatic powder coated c/with surface treatment , 80 +/- 5 micron paint thickness and tested according to IEC 60068-2-1, 2-2, 2-30, 2-42, 2-43, 2-49, 2-11

## STANDARD PRODUCT

### Standard colour

RAL 7035, RAL 9005

### Standard stripe colour

Red

### IP protection standard

IP00. When bottom cover plate is used, it becomes IP20

## FRONT DOOR

Shatterproof glass with left and right metal frame

### Glass

4 mm full-length smoked, shatterproof, tempered, secure

### Front door construction

Single door opening for W=600 mm cabinets

Double door opening for W=800 mm cabinets

### Front door lock

Handled type, single point locking for W=600 mm series

Handled type, 3 point locking for W=800 mm series

### Adhesive material

High density polyurethane DIN 53479, DIN 53505

### Hinge system

Spring loaded

### Door opening angle

220 degree

## SIDE PANEL

Solid metal, 1,2 mm. Left and right (2ea.)

### Construction

Lockable, removable c/with lock

### Lock

Barrel type lock unit, single point

## REAR DOOR

Solid metal, 1,2 mm

### Rear door construction

Single opening lockable, removable

## Rear door lock

Barrel type lock unit, single point for W=600 mm

Lock with handle unit, 3 point locking system for W=800 mm

### Hinge system

Spring loaded

### Door opening angle

220 degree

## TOP COVER

Solid metal, 1,2 mm

### Top cover construction

Allows efficient air removal

## FRAMEWORK

### Top and bottom base units

Solid Metal 1,5 mm

### Top and bottom base units construction

Completely welded corner socket system

### Uprights

Solid metal, 1,5 mm specially manufactured closed profile system

### Uprights construction

Tightly fixed into top and bottom base units with screws

4 times folded

## INTERIOR PARTS

### 19" mounting angles

Solid metal, 2 mm, 3 times folded for a C style for all models / L style single folded for D=1000 mm series, U marking available

2 ea. at rear; 2 ea. at front, Pre-configured as 19"

Free space to front door; approx. 145 mm to 155 mm depending on depth versions ( please see related diagrams for exact dimensions). Zinc plated, passivated, 8-12 micron

Adjustable in depth

### Omega type support rails in depth

Solid metal, 1,5 mm, 6 times folded, 2 ea. at left, 2 ea. at right for 26U and higher

## OPTIONS

### Front door options

Each depth and width variation has its own front door options, please see the related catalogue pages 71-77-81.

### Rear door options

Each depth and width variation has its own front door options, please see the related catalogue pages 71-77-81.



For CUSTOMIZED PRODUCTS rather than above options, please contact sales department.



## FREQUENTLY USED ACCESSORIES SELECTION CHART FOR EUROline

**Estap has a wide range of accessories:** Heavy duty fixed shelves, sliding shelves, fans, cooling units, vertical cable managements, cable rings, organisers, trays, plinth and so on...

\* See the other accessories part numbers and definitions on pages 173-213.

Please state colour choice in your orders.

M01=RAL 9005 Black and M02= RAL 7035 Light grey

### Frequently used accessories selection table



EUROline / Shelves Part numbers	Enclosure sizes*				
	600x600	600x800	600x1000	800x800	800x1000
Fixed shelves	M44SBR60	M44SBR80	M44SBR100	M44SBR80	M44SBR100
Sliding shelves	M44HRK60	M44HRK80	-	M44HRK80	-



EUROline / Fan units Part numbers	Enclosure sizes*				
	600x600	600x800	600x1000	800x800	800x1000
2 Fan unit with on/off switch	M35HV2F	M35HV2F	M35HV2F	M35HV2F	M35HV2F
4 Fan unit with on/off switch	M35HV4F	M35HV4F	M35HV4F	M35HV4F	M35HV4F
2 Fan unit with thermostat unit	M35HV2FT	M35HV2FT	M35HV2FT	M35HV2FT	M35HV2FT
4 Fan unit with thermostat unit	M35HV4FT	M35HV4FT	M35HV4FT	M35HV4FT	M35HV4FT



EUROline / Cable management Part numbers	Enclosure sizes*				
	600x600	600x800	600x1000	800x800	800x1000
1U cable management panel (5 rings)	E44ORG1U	E44ORG1U	E44ORG1U	E44ORG1U	E44ORG1U
Vertical cable management	-	-	-	M44ORGXXMFX	M44ORGXXMFX

XX= Enclosure U size



EUROline / PDU Part numbers	Enclosure sizes*				
	600x600	600x800	600x1000	800x800	800x1000
6 way PDU with 1x16A CCT breaker, 1U	M446AL_ES	M446AL_ES	M446AL_ES	M446AL_ES	M446AL_ES
9 way PDU with 1x16A CCTbreaker, 2U	M449ALC_ES	M449ALC_ES	M449ALC_ES	M449ALC_ES	M449ALC_ES



EUROline / Castor Part numbers	Enclosure sizes*				
	600x600	600x800	600x1000	800x800	800x1000
Castor group	M22DRTGR1 EU	M22DRTGR1 EU	M22DRTGR1 EU	M22DRTGR1 EU	M22DRTGR1 EU
Fixings/M6 cagenut, screw, washer (1 set=20 pcs.)	KFS6X15	KFS6X15	KFS6X15	KFS6X15	KFS6X15

\* Please check drawing pages for cabinet sizes.