

PROline wall mounting



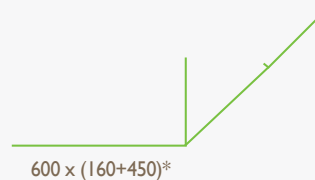
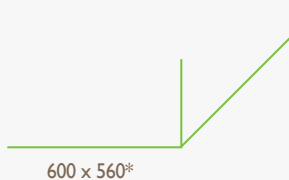
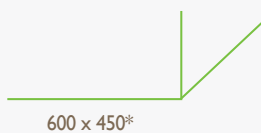
“The rear panel provides easy mounting of the cabinets. Therefore, devices and the cables can be mounted easily inside of the cabinet before hanging the cabinet on the rear mounting panel.”

- 4 way access to equipment
- Multiple cable entry points on top and bottom, providing maximum versatility
- Easy to mount on wall
- 19” mounting angles (front/2 ea.) allow flexible configuration and are adjustable in depth



600x450 - 600x560 - 600x(160+450)

PROline wall mounting enclosures



PROline residential enclosures



The PROline wall mounting enclosures cabinets provide an economic solution for cabling installations.

This series is used in the offices for horizontal segments where a reduced amount of U height is required while providing a pleasing and professional look.

Attention to style in light grey RAL 7035 with left and right metal frames means that cabinets can be deployed in the most demanding of office environments when looks really matter. RAL 9005 is also available in a black. Front door frame is available with decorative stripe colour of orange.

PROline cabinets can be used in almost all locations. Standard PROline wall mounting cabinet is delivered as a single enclosure and assembled.

Wall mounted cabinets can be used as free standing by using accessories castor or levelling feet under a table or in any environment.



* Please check drawing pages for cabinet sizes.

STANDARD DIMENSIONS:

Heights : 7U, 9U, 12U, 16U, 20U
 Width : 600 mm
 Depths : 450 mm, 560 mm and 160+450 mm

LOAD CARRYING CAPACITY: 80 kg

COLOUR:

RAL 9005 black 
 RAL 7035 light grey 

STANDARDS:

ISO 9001 :2008 Quality Management Systems
 ISO 14001: 2004 Environmental Management System
 19” mounting to IEC 297-1
 EN 61587-1 mechanical structures (cabinets for electronic equipment)
 Overall cabinet dimensions for IEC 297-2

KEY FEATURES

Easy to access

Front door features a full-length smoked and shatterproof glass door with decorative accent stripe reinforced with left/right metal frames and integral locking mechanism.

Side doors; lockable, removable complete with a lock. Rear panel; mechanically lockable, removable can be used as mounting plate at the same time. When mounting the enclosure, the rear panel is removed and mounted directly on the wall and hung over the enclosure to the rear panel. Being hung, straight on wall, using fast installation, low manpower, offer a time saving and cost-effective solution. This gives you 4-way access to equipment.

Cable entry

Multiple cable entry points on top (1 ea) and bottom (1 ea), provide maximum versatility. There is a rubber edge sliding cover mechanism that protects and fixed the cables. On the rear panel, there is also a cable entry hole closed with cover. When used, it is replaced with on of top/bottom rubber edge sliding cover mechanism.

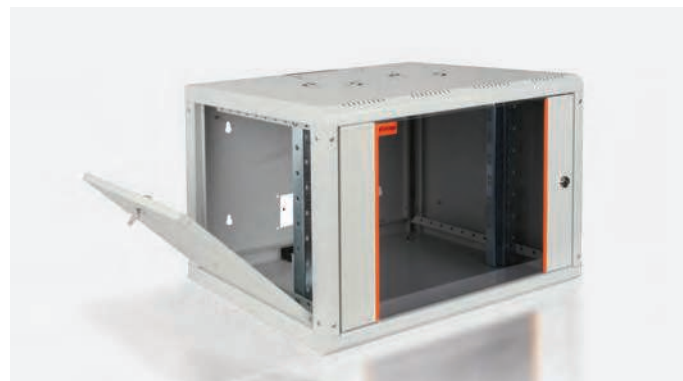
Construction

Rigid welded frame construction is sheet steel. Corner of bases have welded sockets on each corner that are tightly fixed into the columns gives maximum stability.

Frames are made with 24-fold design for increased stability.

Vented top cover provides passive heat transportation via convection. There are vented fan holes suitable for a cooling unit. (see accessories)

19” mounting angles (front/2 ea.) allow for flexible configuration and are adjustable in depth. Extensive range of accessories.





600x450 - 600x560 - 600x(160+450)



Double Sectioned Cabinets (160+450) mm

Allows for maintenance and installation from the back. Easy to access when opening 2nd. section of the cabinet. Due to heavy duty hinges. Cabinet opening is 100 degree and is lockable.



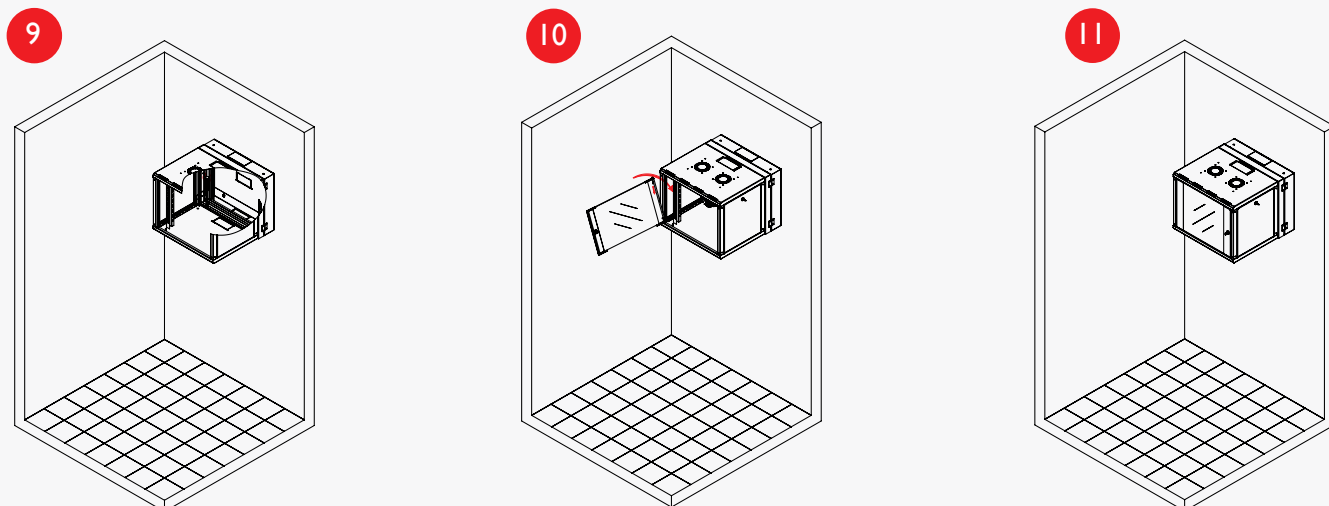
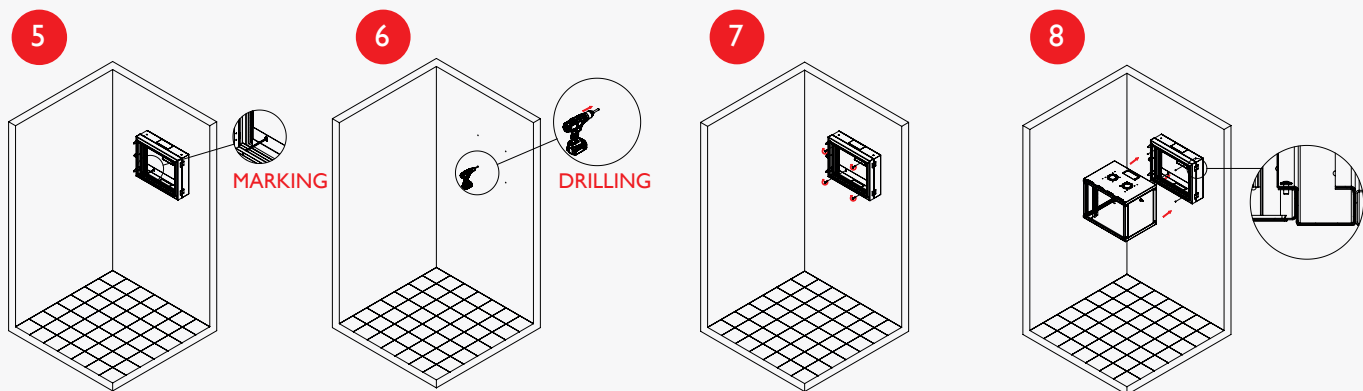
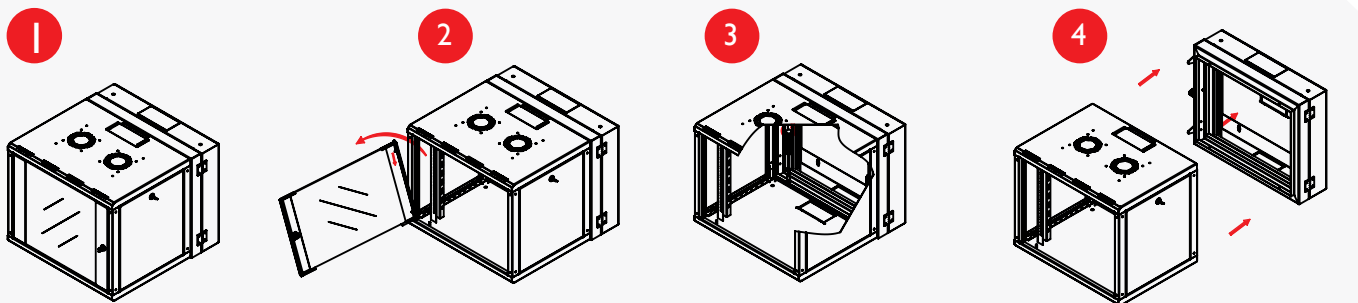
Stand alone application

All PROline cabinets can be used as stand alone by using castor group or with levelling feet. (Please see the accessories for levelling feet and castor group). It has the advantage of use under table or in narrow places.



Easy to mount on wall

All PROline cabinets rear panels are removable. It is removed easily and can be assembled and installed by one person labour costs.





STEPS TO SELECTING THE RIGHT WALL MOUNTING CABINETS

In addition to Estap product part numbers, the options mentioned below are to supply the right definition to meet your requirements. Each wall mounting and free standing enclosure section in the catalogue, has a "Main part numbers" and "Options" sections.

The below example explains how to select the right options.

As for the PROline wall mounting cabinets, the product part number has the below structure:

Product range name + U height (HHU) + Width=600 mm & depth (DD)

As for the PROline wall mounting cabinets, the product options have the below structure:

Colour option (MX) + Front door options (FX)

HOW TO SELECT THE OPTIONS

Step 1 - Please choose product part number.

For example: **PRL07U45**

Step 2 - Please choose the colour from the table and place it after the part number.

For example: **PRL07U45 - M02** (MX=Look at the MX colour options on the next page)

Step 3 - Please choose the front door from the table and place it after **MX** colour.

For example: **PRL07U45 - M02 - F26** (FX= Look at the FX front door options on the next page)

MAIN PART NUMBER STRUCTURE

PRL - HHU - DD

Product range PROline	U height	Width= 600 & depth
PRL	HHU	DD
PRL	07U	45
	09U	56
	12U	
	16U	
	20U	

OPTIONS

MX - FX

Colour options	Front door options
MX	FX
M01	F26*
M02	F27

MAIN PART NUMBER STRUCTURE

PRL : PROline wall mounting product range

HHU : "U" height

DD : Depth (width= 600 mm)

OPTIONS

MX : Colour options

M01= RAL 9005 black 

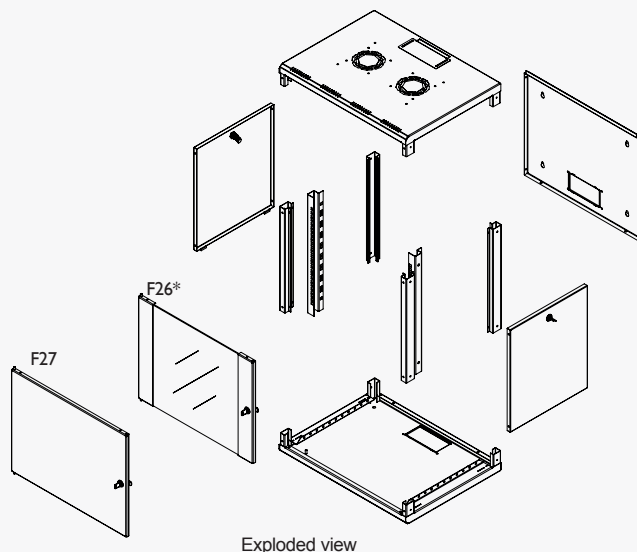
M02= RAL 7035 light grey 

FX : Front door options

F26*= Single opening tempered proof glass door with left and right metal frame, single point barrel type locking

F27= Single opening solid metal door with single point barrel type locking

* F26 is the standard front door.



PROline wall mounting cabinets 19" 600 x 450 mm

Part number	Product definition (mm)	U size	Width: overall (mm)	Depth: overall (mm)	Height: vertical mounting profile (mm)	Height: without levelling feet (mm)
PRL07U45	7U 600x450	7	600	450	397	402
PRL09U45	9U 600x450	9	600	450	485	491
PRL12U45	12U 600x450	12	600	450	618	624
PRL16U45	16U 600x450	16	600	450	798	802
PRL20U45	20U 600x450	20	600	450	976	980

PROline wall mounting cabinets 19" 600 x 560 mm

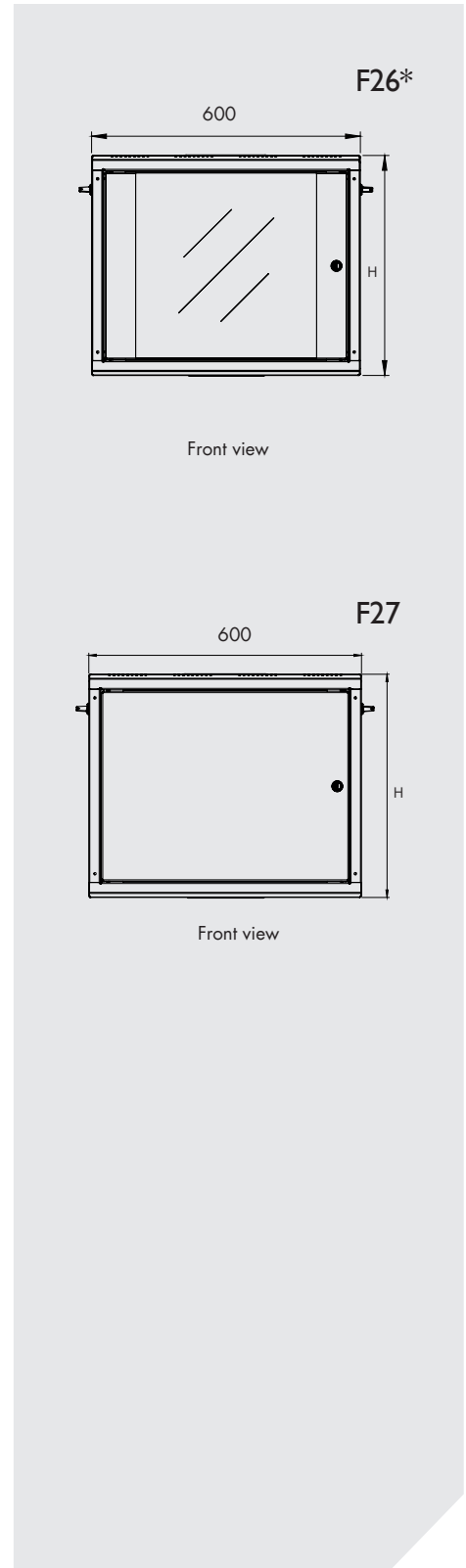
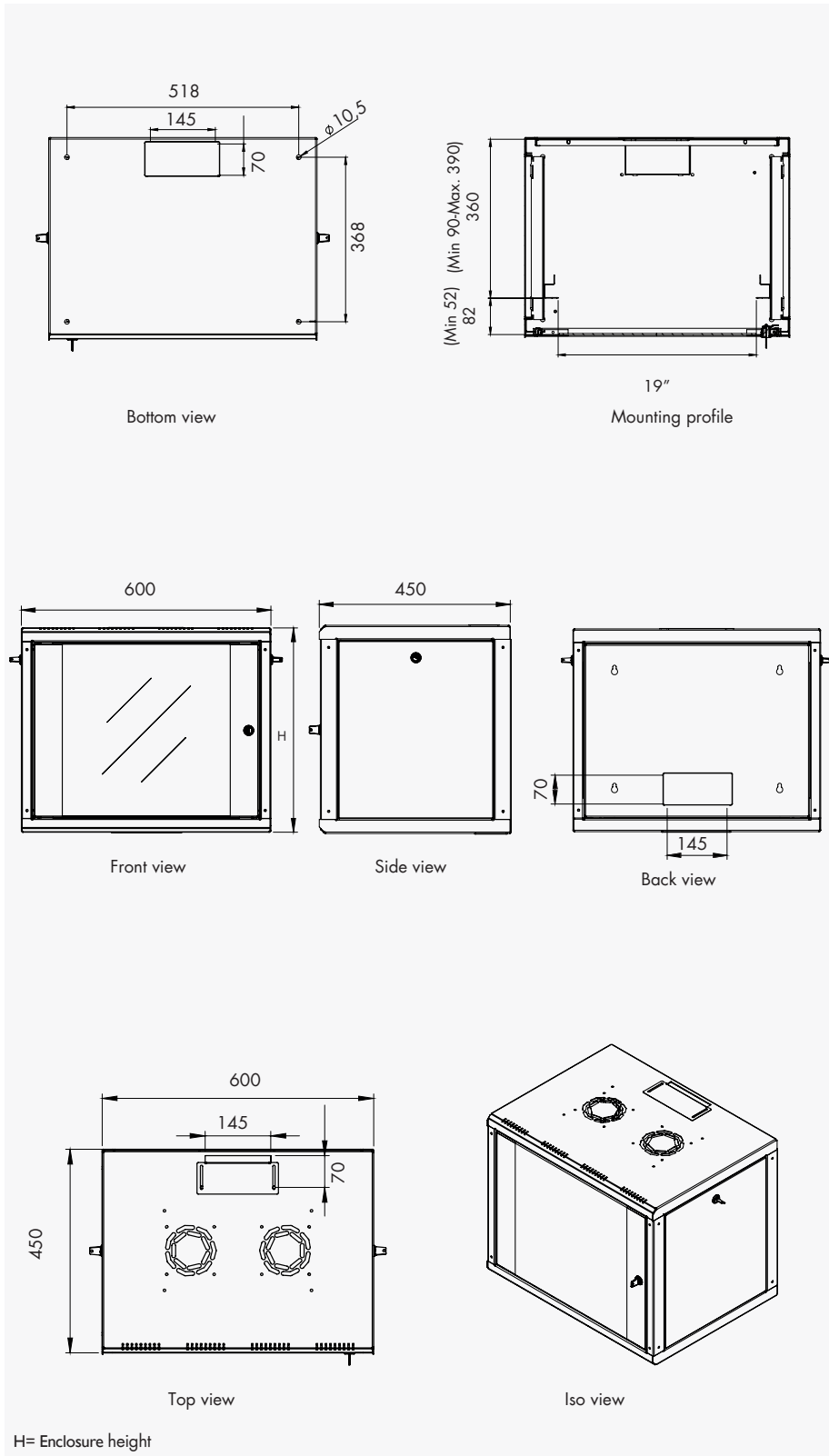
Part number	Product definition (mm)	U size	Width: overall (mm)	Depth: overall (mm)	Height: vertical mounting profile (mm)	Height: without levelling feet (mm)
PRL07U56	7U 600x560	7	600	560	397	402
PRL09U56	9U 600x560	9	600	560	485	491
PRL12U56	12U 600x560	12	600	560	618	624
PRL16U56	16U 600x560	16	600	560	798	802
PRL20U56	20U 600x560	20	600	560	976	980

* F26 is the standard front door.

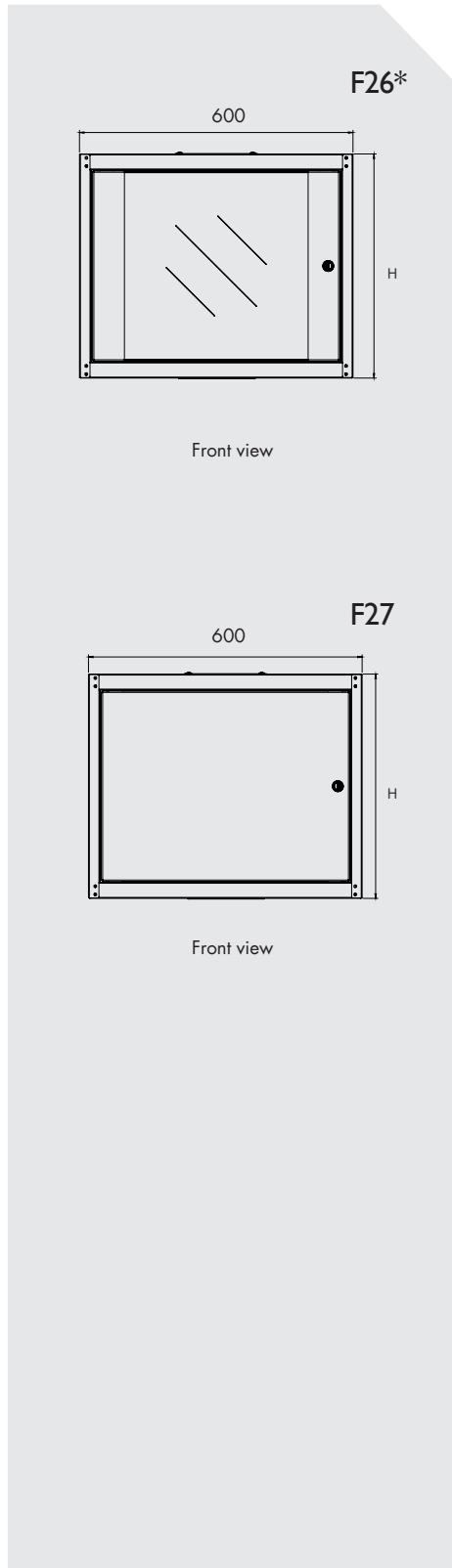
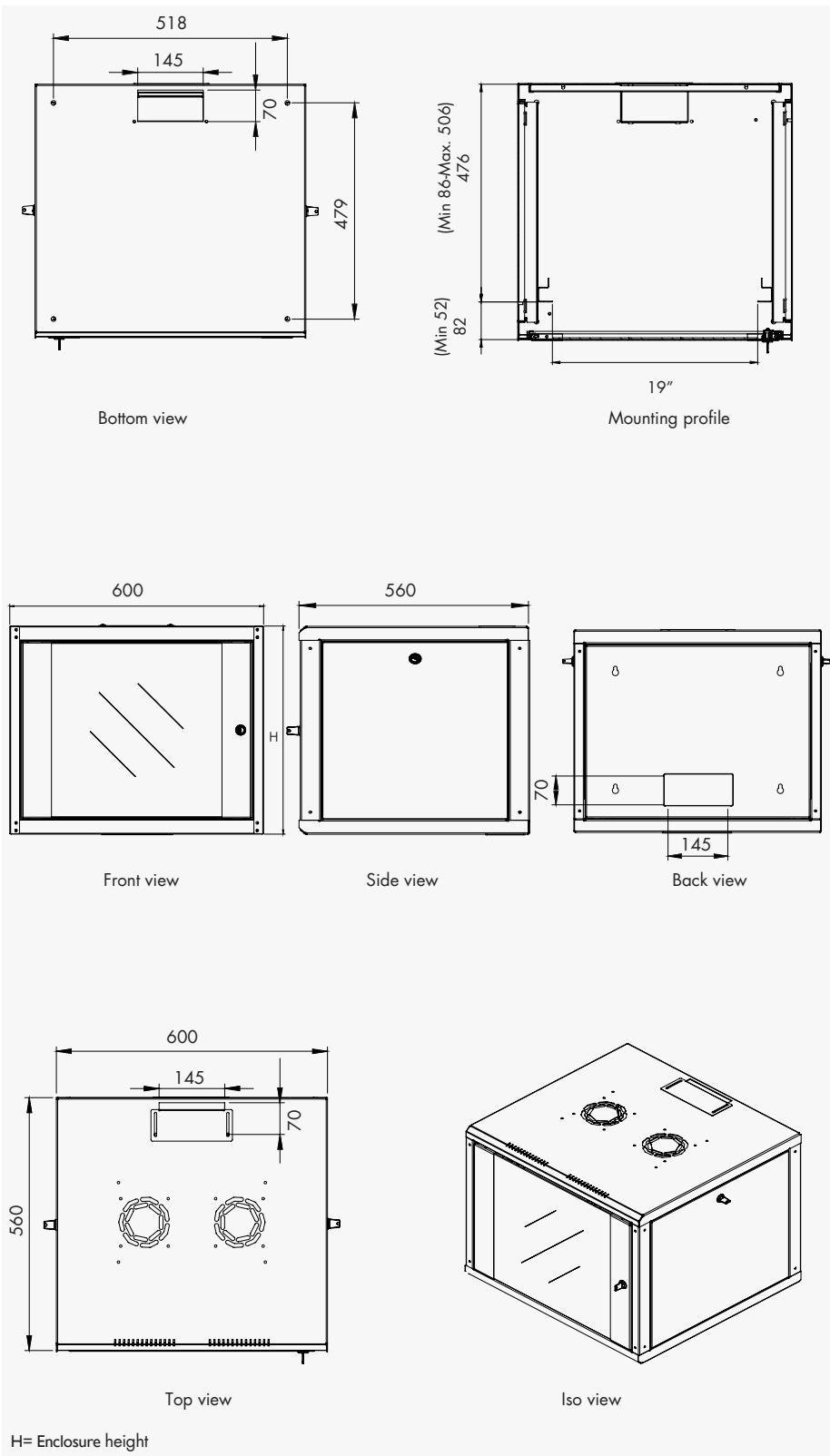


TECHNICAL DRAWINGS FOR

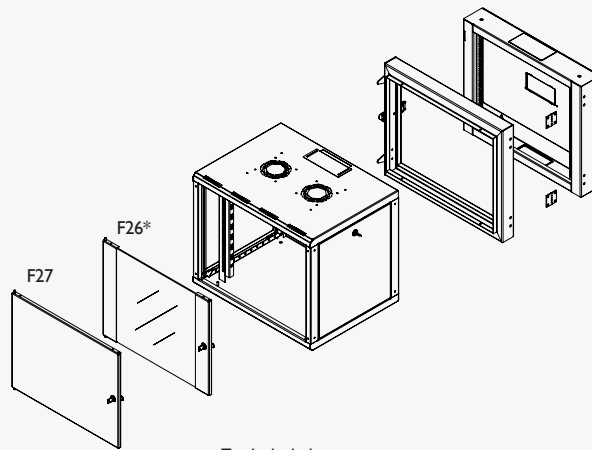
600x450 - 7U/9U/12U/16U/20U



* F26 is the standard door



* F26 is the standard door



Exploded view

MAIN PART NUMBER STRUCTURE

PRD - HHU - DD

Product range PROline	U height	Width= 600 & depth
PRD	+	+
PRD	HHU	DD
	7U	56
	9U	
	12U	
	16U	
	20U	

OPTIONS

MX - FX

Colour options	Front door options
MX	+
M01	FX
M02	F26*
	F27

PRD : PROline double section wall mounting product range

HHU : "U" height

DD : Depth (width= 600 mm)

MX : Colour options

M01 = RAL 9005 black

M02 = RAL 7035 light grey



FX : Front door options

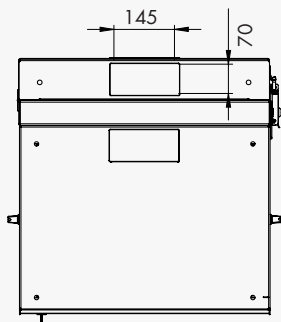
F26* = Single opening shatter proof glass door with left and right metal frame, single point barrel type locking

F27 = Single opening solid metal door, single point barrel type locking

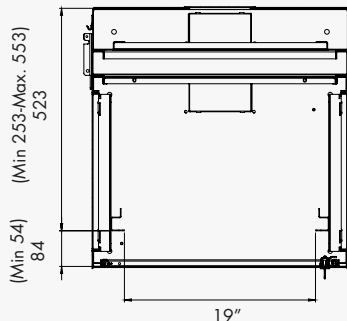
PROline wall mounting cabinets 19" 600 x (160+450) mm (Double section)

Part number	Product definition (mm)	U size	Width: overall (mm)	Depth: overall (mm)	Height: vertical mounting profile (mm)	Height: without levelling feet (mm)
PRD07U56	7U 600x(160+450)	7	600	610	397	402
PRD09U56	9U 600x(160+450)	9	600	610	495	491
PRD12U56	12U 600x(160+450)	12	600	610	618	624
PRD16U56	16U 600x(160+450)	16	600	610	798	802
PRD20U56	20U 600x(160+450)	20	600	610	976	980

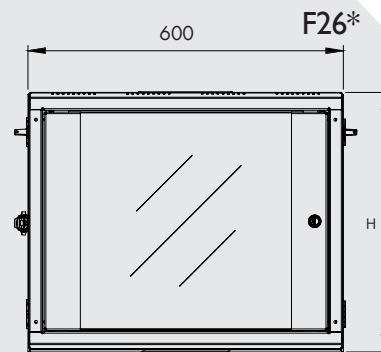
* F26 is the standard door.



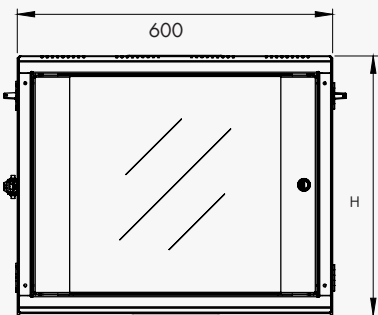
Bottom view



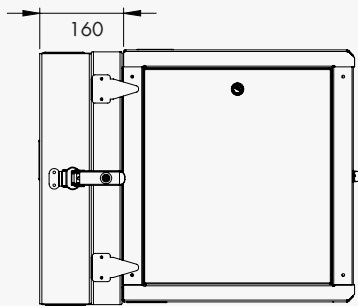
Mounting profile



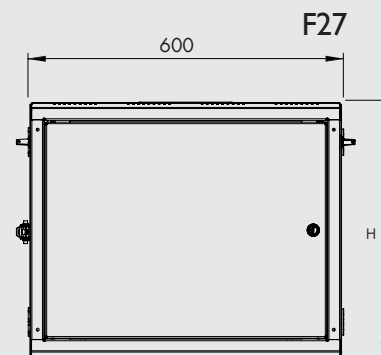
Front view



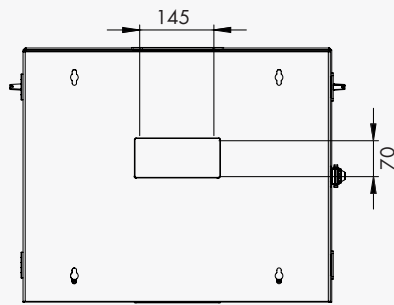
Front view



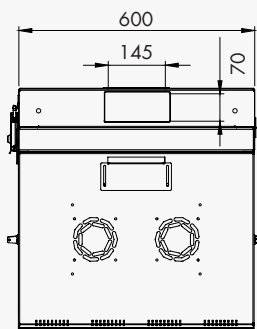
Side view



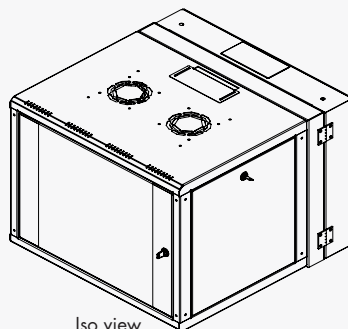
Front view



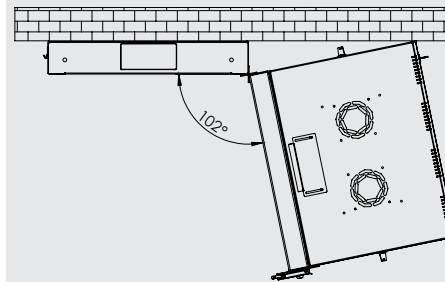
Back view



Top view



Iso view



H= Enclosure height

* F26 is the standard door



TESTS AND CERTIFICATIONS

Environment

EN61587-1/4.2, IEC60068-2-1, IEC60068-2-2, IEC60068-2-30, IEC60917 and IEC60297

Industrial environment

EN61587-1/4.3, IEC60068-2-42, IEC60068-2-43 and IEC60068-2-49, IEC60068-2-1, IEC60917 and IEC60297

Static mechanical structure load test

EN61587-1 / 5.2.2, IEC60917 and IEC60297

Static mechanical structure stability

EN61587-1 / 5.2.2, IEC60917 and IEC60297

Dynamic load, vibration and mechanical stroke

EN61587-1 / 5.3.1, EN61587-1 / 5.3.3, IEC60917, IEC60297, IEC62208

Grounding continuity

EN61587-1 / 6.2, IEC60917 and IEC60297

Fire and Flame Resistance

EN61587-1 / 6.3, IEC60917 and IEC60297

Corrosion

ISO9227 and ASTM B 117-85, IEC60917 and IEC60297

IP protection degree

IP20 accordingly EN61587-1 / 6.4, IEC60529, IEC60917 and IEC60297

Transportation

ETS300019-1-2 Class2.3

Storage

ETS300019-1-1 Class1.2

Security

EN60950_LVD

PURCHASED PRODUCT CERTIFICATION

Sheet steel

DIN EN 10130 – 99 Ereğli DC-01 6112, 7122, RoHS

Electrostatic powder coating

ISO 9001, ISO 2178, ISO 2813, ISO 6272, ISO 8130-5, ISO 8130-3, RoHS

Fan

ISO 9001, CE (89/336/EEC EMC, 73/23/EEC LVD), RoHS

Glass

ISO 9001, EN 12150 – 1:2000 tempered and secure

Fixings

DIN 7985, DIN 965, DIN 7981, DIN 934, DIN 985, DIN 933, RoHS

Castors

TS EN 12530, TS EN 12532, RoHS

Lock

DIN 1743, DIN 53571, RoHS

KEY FEATURES

Main profile (framework) has an aesthetic structure which increases mechanical resistance, folded at an angle of 90 degrees and consisting of 4 bends for each profile. In total; 16 folds provide framework stability. Tested to provide (x, y, z) axis resistance that meets EN 61587-1 / 5.2.1 and 5.2.2 and external impact resistance that meets EN 61587-1 / 5.3.3. Bottom and upper case have a structure to increase resistance and strength of cabinet using a block bended, welded and profile-interlocking design. Profiles are manufactured to interlock bottom and upper case with heavy duty steel rivets. Cable access at top case has a sliding type blanking access plate that would block any dust inlet.

A plastic cable entry cover plate housed in the bottom case can be replaced with the cable entry on top which is sliding and rubber edged; in case of cables entering from bottom. Additionally there is a plastic cable entry cover plate housed in the rear panel which can be used when the cables are coming from the wall.

Rear panel in standard is mechanically locked with 2 screws from inside which allows the rear panel to be used as a wall fixing pattern and bracket. Side panels have a structure that can be opened and removed with barrel type locking with key. It is lockable and removable. Front doors are with lateral framed glass structure which is tempered, anti-static, secure and smoked glass (4 mm thickness) with decorative stripe, according to EN 12150-1:2000 standard. Glass front door in standard configuration has left and right metal frame structure with high density polyurethane adhesive and screw. Front door can be opened to 105 degrees, is removable and lockable with a barrel type locking unit. Vented top panel housing with a dedicated space for ventilation, fan module system allows easy installation of max. 2 fans. 19" (inch) mounting angles for 2 ea. in front are part of cabinet interior configuration and are adjustable in depth. Levelling feet or castor group is optional. The cabinet meets EN 61587-1, IEC 60917, IEC 60297 standards, RoHS compliancy, Gost and TSE certified. Cabinets are manufactured in our factory which has ISO 9001:2008 Quality Assurance System and our responsibility for environment with ISO 14001:2004 Environmental Management System.

Additional architect and engineering specifications for double section wall mounting cabinets. It has D=160 mm welded monoblock, wall section frame, which allows double section applications on PROline range. It has heavy duty hinges which are made of zamac as well traverse type handled locking between front and rear sections providing additional stability and strength. Double section wall mounting PROline cabinets have 80 kg. Load capacity while the cabinet is in swinging process. 19" mounting angles are 2 ea. in front for all sizes.

TECHNICAL SPECIFICATIONS

Custom number

85380000 / 85381000 / 853710990019

Packs of (ea.)

1

Shipping structure

Assembled

Mounting surface

Wall mounting

Load carrying capacity (kg)

80

Certification on product

TSE, Gost

Surface finish

Electrostatic powder coated c/with surface treatment , 80 +/- 5 micron paint thickness and tested according to IEC 60068-2-1, 2-2, 2-30, 2-42, 2-43, 2-49, 2-11

Standart colour

RAL 7035 light grey and RAL 9005 black

IP protection standard

IP20

FRONT DOOR

Shatterproof glass with left and right metal frame

Glass

4 mm thickness full-length smoked, shatterproof, tempered, secure

Front door construction

Single door opening with barrel type lock

Front door lock

Barrel type, single point locking

Adhesive material

High density polyurethane DIN 53479, DIN 53505

Hinge system

Spring loaded

Door opening angle and swapping

105 degree, possible to swap one side to the other

SIDE PANEL

Solid metal, 1,0 mm. Left and right (2 ea.)

Construction

Lockable, removable c/with barrel type lock

Lock

Barrel type lock unit, single point

REAR PANEL

Solid metal 1,5 mm

Rear panel construction

Mechanically locked with 2 screws from inside

FRAMEWORK

Top and bottom base units

Solid metal 1,5 mm

Constructions

Completely welded corner socket system

UPRIGHTS

Solid metal, 1,2 mm

Construction

Tightly fixed into top and bottom base units ,
5 times folded x 4 = 20 folds

INTERIOR PARTS

19" mounting angles

Solid metal, 1,5 mm

There are 2 pcs. 19" mounting angles in front.

Zinc plated, passivated, 8-12 micron

Adjustable in depth



For CUSTOMIZED PRODUCTS rather than above options, please contact sales department.

Additional technical specifications for double section wall mounting cabinets

Double section (wall)

D=160 mm, monoblock, welded, construction

Connected to the front section with zamac hinges system

Swing opening

105 degree

Rear section lock

Traverse style , heavy duty

19" mounting angles

Solid metal, 1,5 mm

3 times folded as C profile system

2 ea. in front

Pre-configured as 19"

Zinc plated, passivated, 8-12 micron

Adjustable in depth



FREQUENTLY USED ACCESSORIES SELECTION CHART FOR PROline WALL MOUNTING

Estap has a wide range of accessories: Fixed shelves, sliding shelves, cooling units, cable managements, cable rings, organisers, trays and so on...

* See the other accessories part numbers and definitions on pages 173-213.

Please state colour choice in your orders. M01=RAL 9005 black and M02= RAL 7035 light grey

Frequently used accessories selection table



PROline / Shelves Part numbers	Enclosure size*		
	600x450	600x560	600x(160+450)
Fixed shelves (rack mount)	E44RAK25/ E44RAK35	E44RAK25/ E44RAK35	E44RAK25/ E44RAK35
Sliding shelves (If enclosure configured with 4 pcs. 19"rails)	-	M44HRK60	M44HRK60



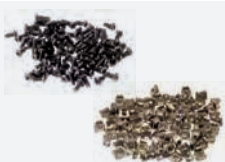
PROline / Fan units Part numbers	Enclosure size*		
	600x450	600x560	600x(160+450)
1 Fan unit with on/off switch	M11HV1FW	M11HV1FW	M11HV1FW
2 Fan unit with on/off switch	M11HV2FW	M11HV2FW	M11HV2FW
1 Fan unit with thermostat unit	M11HV1FW T	M11HV1FW T	M11HV1FW T
2 Fan unit with thermostat unit	M11HV2FW T	M11HV2FW T	M11HV2FW T



PROline / Cable management Part numbers	Enclosure size*		
	600x450	600x560	600x(160+450)
19" 1U cable management panel	E44ORG1U	E44ORG1U	E44ORG1U



PROline / PDU Part numbers	Enclosure size*		
	600x450	600x560	600x(160+450)
6 way PDU with 1x16A CCT breaker, 1U	M446AL_ES	M446AL_ES	M446AL_ES



PROline / Fixing Part numbers	Enclosure size*		
	600x450	600x560	600x(160+450)
Fixings/ M6 cagenut, washer, screw (1 set=20 pcs.)	KFS6X15	KFS6X15	KFS6X15

* Please check drawing pages for cabinet sizes.

STEPS TO SELECTING THE RIGHT WALL MOUNTING CABINETS

In addition to Estap product part numbers, the options mentioned below are to supply the right definition to meet your requirements. Each wall mounting and free standing enclosure section in the catalogue, has a "Main part numbers" and "Options" sections.

The below example explains how to select the right options.

The product part number has the below structure:

Product range name + U height (HHU) + Width=600 mm & depth (DD)

The product options have the below structure:

Colour option (MX) + Front door options (FX)

HOW TO SELECT THE OPTIONS

Step 1 - Please choose product part number.

For example: **PRL06U15**

Step 2 - Please choose the colour from the table and place it after the part number.

For example: **PRL06U15 - M02** (MX=Look at the MX colour options on the next page)

Step 3 - Please choose the front door from the table and place it after **MX** colour.

For example: **PRL06U15 - M02 -F29** (FX= Look at the FX front door options on the next page)

MAIN PART NUMBER STRUCTURE

PRL - HHU - DD

Product range PROline	U height	Width= 600 & depth
PRL	HHU	DD
PRL	06U 09U 12U	615 630

OPTIONS

MX - FX

Colour options	Front door option
MX	FX
M01 M02	F29

MAIN PART NUMBER STRUCTURE

PRL : PROline residential product range

HHU : "U" height

DD : Depth (width= 600 mm)

OPTIONS

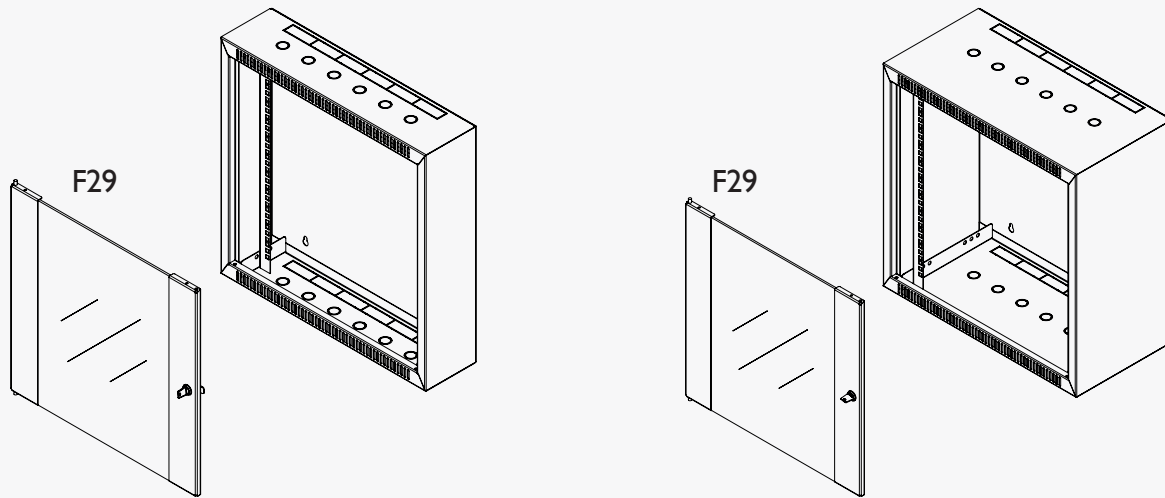
MX : Colour options

M01= RAL 9005 black 

M02= RAL 7035 light grey 

FX : Front door option

F29= Single opening shatter proof glass door with left and right metal frame, single point barrel type locking



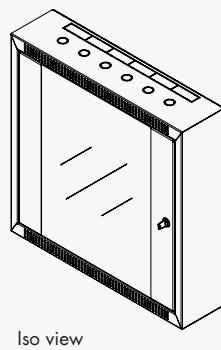
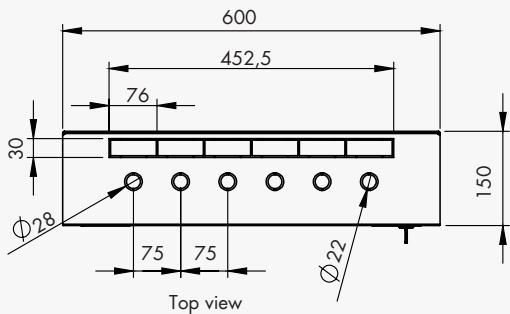
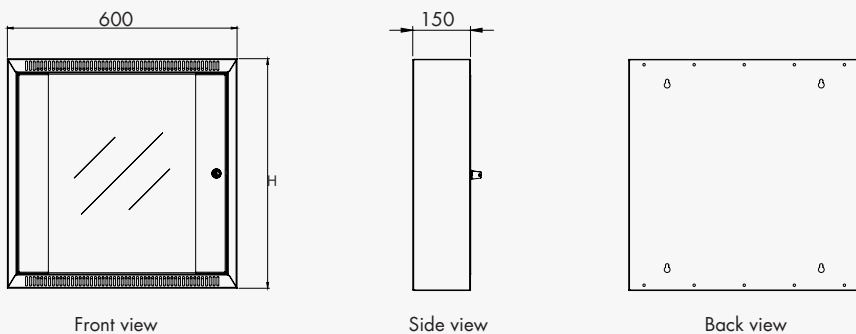
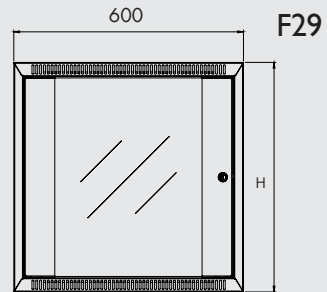
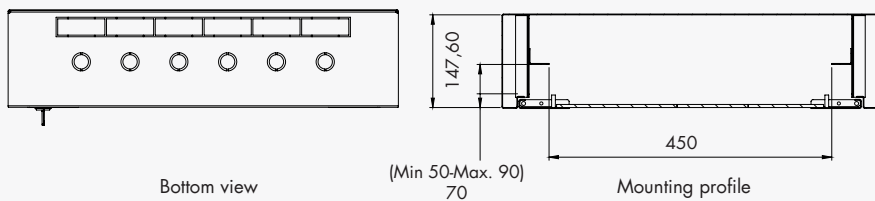
Exploded view

PROline residential wall mounting cabinets 19" 600 x 150 mm

Part number	Product definition (mm)	U size	Width: overall (mm)	Depth: overall (mm)	Height: vertical mounting profile (mm)
PRL06U615	6U 600x150	6	600	150	338
PRL09U615	9U 600x150	9	600	150	463
PRL12U615	12U 600x150	12	600	150	596

PROline residential wall mounting cabinets 19" 600 x 300 mm

Part number	Product definition (mm)	U size	Width: overall (mm)	Depth: overall (mm)	Height: vertical mounting profile (mm)
PRL06U630	6U 600x300	6	600	300	338
PRL09U630	9U 600x300	9	600	300	463
PRL12U630	12U 600x300	12	600	300	596

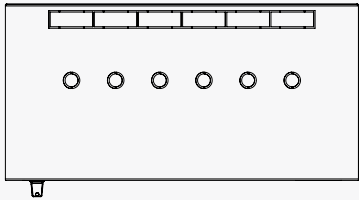


H= Enclosure height

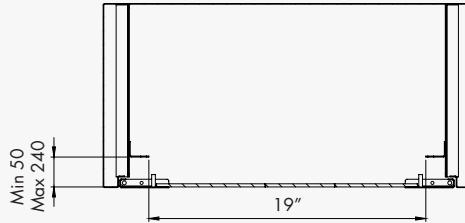


TECHNICAL DRAWINGS FOR

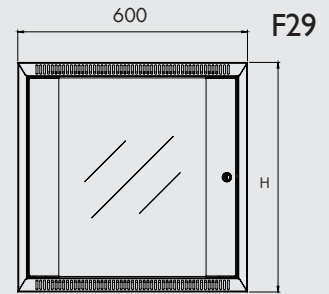
600x300 - 6U/09U/12U



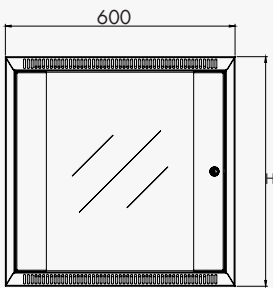
Bottom view



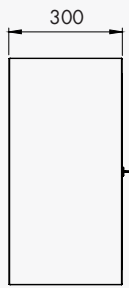
Mounting profile



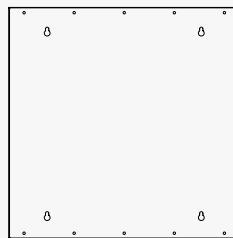
Front view



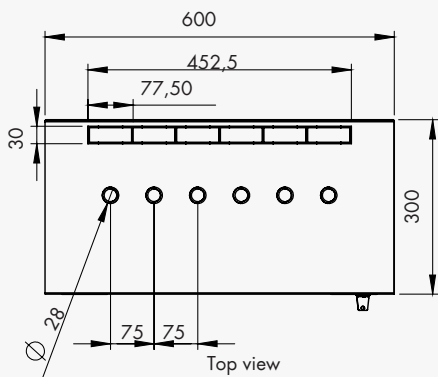
Front view



Side view

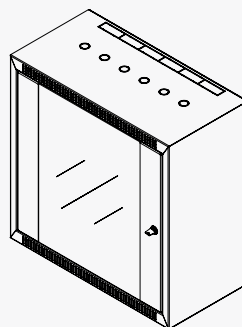


Back view



Top view

H= Enclosure height



Iso view

TECHNICAL SPECIFICATIONS

TESTS AND CERTIFICATIONS

Environment

EN61587-1/4.2, IEC60068-2-1, IEC60068-2-2, IEC60068-2-30, IEC60917 and IEC60297

Industrial environment

EN61587-1/4.3, IEC60068-2-42, IEC60068-2-43 and IEC60068-2-49, IEC60068-2-1, IEC60917 and IEC60297

Statical mechanical structure load test

EN61587-1 / 5.2.2, IEC60917 and IEC60297

Statical mechanical structure stability

EN61587-1 / 5.2.2, IEC60917 and IEC60297

Dynamic load, vibration and mechanical stroke

EN61587-1 / 5.3.1, EN61587-1 / 5.3.3, IEC60917, IEC60297, IEC62208

Grounding continuity

EN61587-1 / 6.2, IEC60917 and IEC60297

Fire and Flame Resistance

EN61587-1 / 6.3, IEC60917 and IEC60297

Corrosion

ISO9227 and ASTM B 117-85, IEC60917 and IEC60297

IP protection degree

IP20 accordingly EN61587-1 / 6.4, IEC60529, IEC60917 and IEC60297

Transportation

ETS300019-1-2 Class2.3

Storage

ETS300019-1-1 Class1.2

Security

EN60950_LVD

PURCHASED PRODUCT CERTIFICATION

Sheet steel

DIN EN 10130 – 99 Eređli DC-01 6112, 7122, RoHS

Electrostatic powder coating

ISO 9001, ISO 2178, ISO 2813, ISO 6272, ISO 8130-5, ISO 8130-3, RoHS

Fan

ISO 9001, CE (89/336/EEC EMC, 73/23/EEC LVD), RoHS

Glass

ISO 9001, EN 12150 – 1:2000 tempered and secure

Fixings

DIN 7985, DIN 965, DIN 7981, DIN 934, DIN 985, DIN 933, RoHS

Castors

TS EN 12530, TS EN 12532, RoHS

Lock

DIN 1743, DIN 53571, RoHS

KEY FEATURES

Main frameworks has an aesthetic structure which include folded side&rear panels those are welded to top&bottom panels. Side and rear panel has totaly 8 bends to provide framework stability. Tested to provide (x, y, z) axis resistance that means EN 61587-1 / 5.2.1 and 5.2.2 and external impact resistance that meets EN 61587-1/5.3.3

Cable access in the top & bottom case has a micro-jointed structure. Due to the demand of cable entry, its easily breakable.

Rear panel has four wall mounting holes, which allows the rear panel to be used as a wall fixing pattern and bracket.

Front door is with lateral framed glass structure which is tempered as a safety glass, anti-static, secure and smoked glass (4 mm thickness) with decorative strips (optional), according to EN 12150-1:2000 standard. Glass front door in standart configuration has left&right metal frame structure with high density polyurethane adhesive. Front door can be opened upto 100 degrees, is removable and lockable with a barrel type locking unit. 19”(inch) mounting uprights for 2 ea. in front are part of cabinet interior configuration and are adjustable in depth. The cabinet meets EN 61587-1, IEC 60917, IEC 60297 standards, RoHS compliancy, GOST and TSE certified.

Cabinets are manufactured in our factory which has ISO 9001:2008 Quality Assurance System and our responsibility for environment with ISO 14001:2004 Environmental Management System.



TECHNICAL SPECIFICATIONS

Custom number

85380000 / 85381000 / 853710990019

Packs of (ea.)

1

Shipping structure

Assembled

Mounting surface

Wall mounting

Load carrying capacity (kg)

80

Certification on product

TSE, Gost

Surface finish

Electrostatic powder coated c/with surface treatment , 80 +/- 5 micron paint thickness and tested according to IEC 60068-2-1, 2-2, 2-30, 2-42, 2-43, 2-49, 2-11

Standart colour

RAL 7035 light grey and RAL 9005 black

IP protection standard

IP20

FRONT DOOR

Shatterproof glass with left and right metal frame

Glass

4 mm full-length smoked, shatterproof, tempered, secure

Front door construction

Single door opening with barrel type lock

Front door lock

Barrel type, single point locking

Adhesive material

High density polyurethane DIN 53479, DIN 53505

Hinge system

Spring loaded

Door opening angle and swapping

100 degree, possible to swap one side to the other

UNIQUE BODY

Side panel, rear panel, bottom and upper cases and mounting angle holders are completely welded-monoblock

Complete metal 1,2 mm

Main body has bends in total 14 and has embedded structure

INTERIOR PARTS

19" mounting angles

Solid metal, 1,5 mm

There are 2 pcs. 19" mounting angles in front.

Zinc plated, passivated, 8-12 micron

Adjustable in depth



For CUSTOMIZED PRODUCTS rather than above options, please contact sales department.



** For PROline residential range, please ask for a separate dedicated data sheet from your customer representative for your projects.