

RELAYrack

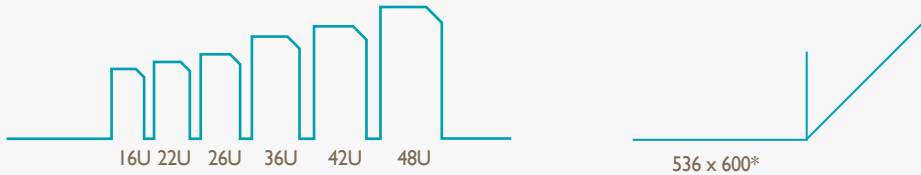


“RELAYrack / Open Frames offer highly cost-effective and assembly-friendly solutions for numerous applications in the field of network technology and electronics.”

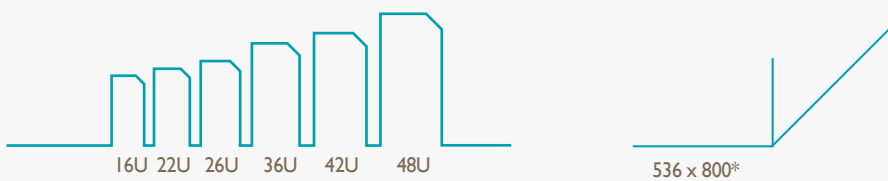
- Designed to house 19” standard mounting devices
- Provides quick access to equipment
- Smart design features to be used as single frame or double frame
- Easy to assemble and disassemble
- Delivered as flatpack



RELAYrack single frame, D=600 mm



RELAYrack double frame, D=800 mm



RELAYrack double frame, D=1000 mm



19" RELAYrack / Open Frames:

For those situations where quick access to the equipment is of primary importance.

Generally used in such an environment with negligible dust or dust free, air conditioned, protected against unauthorized access areas. Uprights are punched in full-length with square holes to use standard accessory cable ring for cable management. Levelling feet as standard.

Its sturdy upright frames are 9-fold special frame on each side for maximum stability. Load carrying capacity is influenced by the distribution of the load. However, loads of 300 kg suitably distributed could be considered safe. When using mobile base, care should be taken with excessive loads.

* Please check drawing pages for cabinet sizes.

STANDARD DIMENSIONS:

Height: 16U/22U/26U/36U/42U/48U

Width: 536 mm

Houses all related 19" equipment and devices

Single frame for just 19" frontal assembly

Double frame with 180 mm extension unit, D= 820 mm

Double frame with 300 mm extension unit, D=940 mm

LOAD CARRYING CAPACITY: 300 kg

COLOUR:

RAL 9005 black



RAL 7035 light grey



STANDARDS:

ISO 9001 :2008 Quality Management Systems

ISO 14001: 2004 Environmental Management System

19" mounting to IEC 297-1

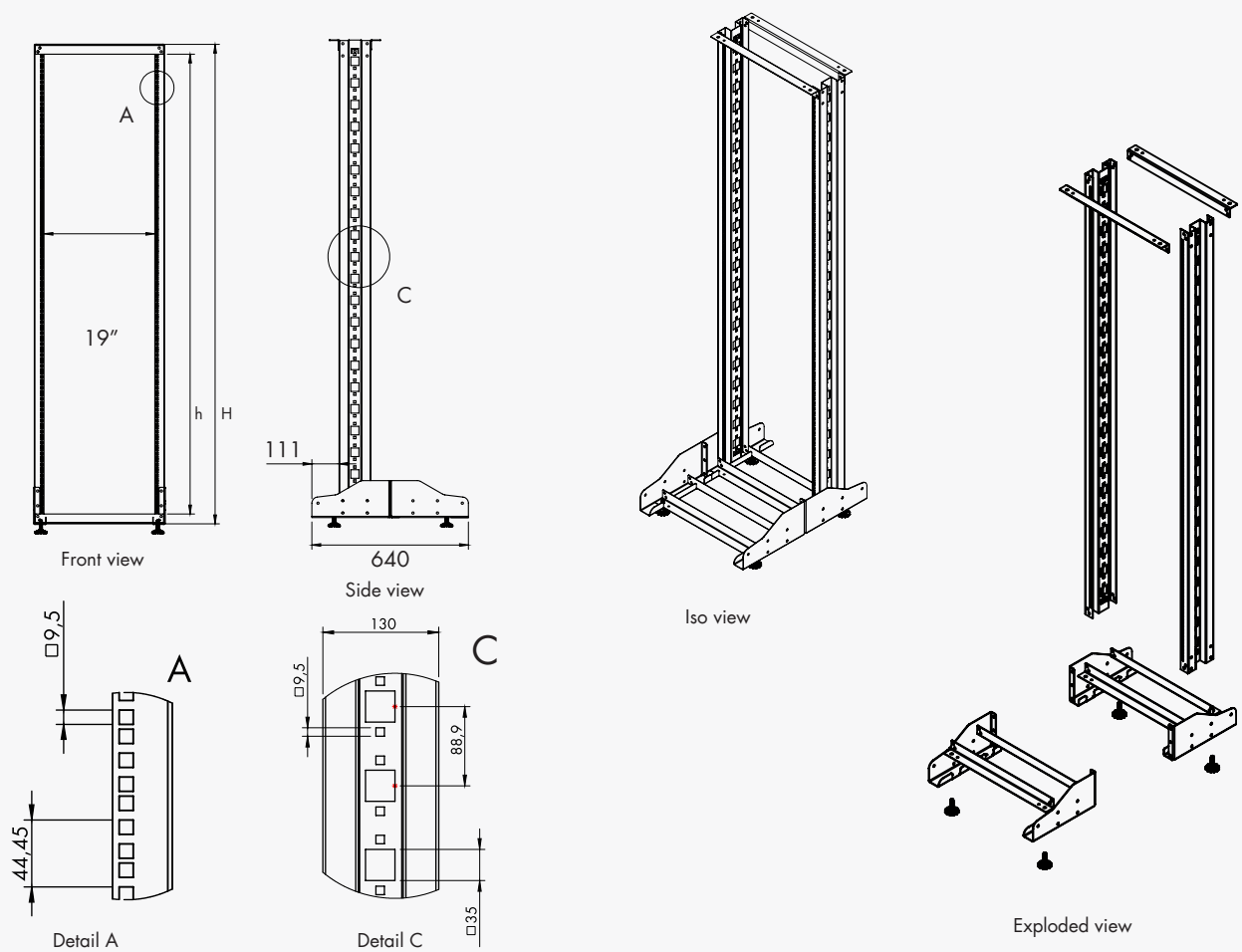
EN 61587-1 mechanical structures (cabinets for electronic equipment)

Overall cabinet dimensions for IEC 297-2

KEY FEATURES

- Single frame unit, provides housing for just 19" frontal assembly installations, compatible with all standard 19" frontal assembly accessories.
- Double frame units, with extension unit in between the base structure of the RELAYrack / open frames D=180mm, frame units will provide 4 point assembly possibility to house all D=800mm range accessories. where the frame base depth becomes 820 mm.
- Double frame units, with extension unit in between the base structure of the RELAYrack / Open frames, D=300 mm frame units will provide 4 point assembly possibility to house all suitable range accessories, where the frame base depth becomes 940 mm, the application field is called servering; the RELAYrack / open frames with this structure becomes SERVER RELAYrack.

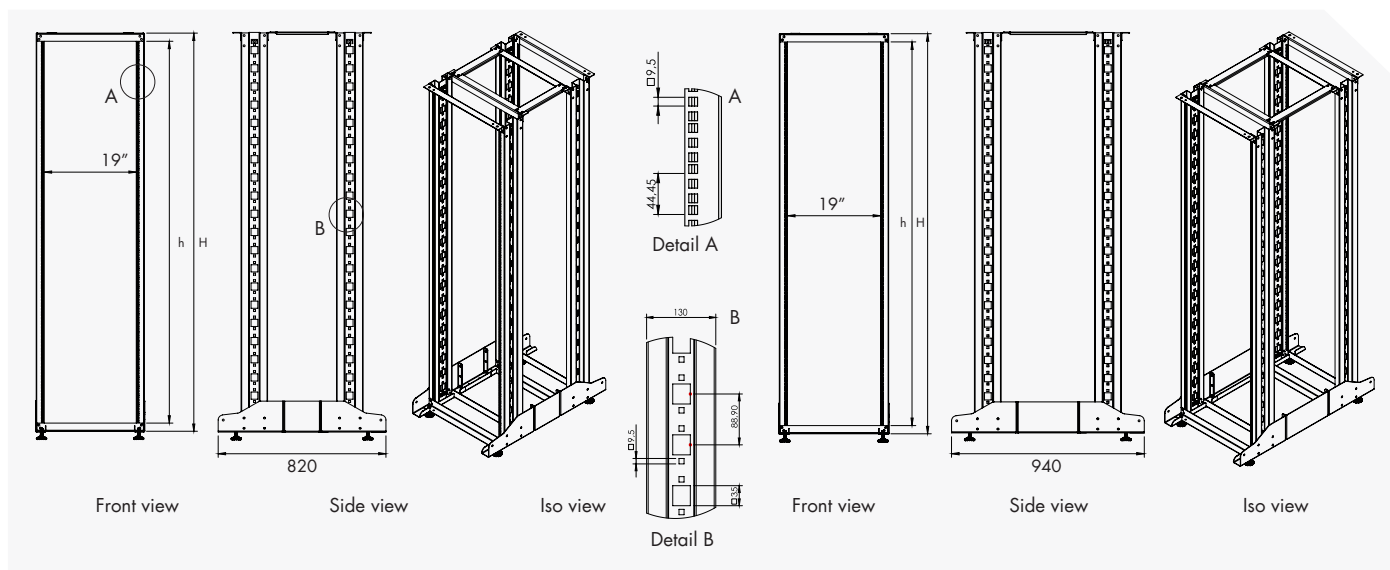




H= Enclosure height

RELAYrack 19" D=640 mm - Single frame

Part number	Product definition	WxDxH (mm)	Inside height (mm)	Flatpackage dimension (mm)
MLRCK 16S	16U 19" D=640 single frame	536x640x826	714,4	720x180x150
MLRCK 22S	22U 19" D=640 single frame	536x640x1092	981,1	1020x180x150
MLRCK 26S	26U 19" D=640 single frame	536x640x1270	1158,9	1255x175x150
MLRCK 36S	36U 19" D=640 single frame	536x640x1715	1603,4	1710x175x150
MLRCK 42S	42U 19" D=640 single frame	536x640x1981	1870,1	1965x175x150
MLRCK 48S	48U 19" D=640 single frame	536x640x2248	2136,8	2240x175x150



RELAYrack 19" D=820 mm - Double frame

Part number	Product definition	WxDxH (mm)	Inside height (mm)	Flatpackage dimension (mm)
MLRCK 16D	16U 19" D=820 double frame	536x820x826	714,4	720x180x150
MLRCK 22D	22U 19" D=820 double frame	536x820x1092	981,1	1020x180x150
MLRCK 26D	26U 19" D=820 double frame	536x820x1270	1158,9	1255x175x150
MLRCK 36D	36U 19" D=820 double frame	536x820x1715	1603,4	1710x175x150
MLRCK 42D	42U 19" D=820 double frame	536x820x1981	1870,1	1965x175x150
MLRCK 48D	48U 19" D=820 double frame	536x820x2248	2136,8	2240x175x150
TOP COVER 66	Top cover	Width=530 mm - Depth=530 mm	-	-
TOP COVER 88	Top cover	Width=530 mm - Depth=730 mm	-	-

RELAYrack 19" D=940 mm - Double frame

Part number	Product definition	WxDxH (mm)	Inside height (mm)	Flatpackage dimension (mm)
MLRCK 26U D100	26U 19" D=940 double frame	536x940x1270	1158,9	1255x175x215
MLRCK 36U D100	36U 19" D=940 double frame	536x940x1715	1603,4	1710x175x215
MLRCK 42U D100	42U 19" D=940 double frame	536x940x1981	1870,1	1965x175x215
MLRCK 48U D100	48U 19" D=940 double frame	536x940x2248	2136,8	2240x175x215
TOP COVER 100	Top cover	Width=530 mm - Depth=850 mm	-	-
TOP COVER 88	Top cover	Width=530 mm - Depth=730 mm	-	-



Available with hard top

D=180 mm extension kit provides 820 mm depth,
D=300 mm extension kit provides 940 mm depth.

Vertical cable management panel with cover

Used for hiding and protecting networking cable bundles. Can be easily fixed to 4 post or 2 post racks, left and/or right sides.

It is vertical along the rack and has holes for cable entries and pass.

Please define your colour with your order (RAL 7035 light grey and RAL 9005 black). Unless noted otherwise it is delivered as RAL 9005 black.

Server storage and shelving

Designed for server/PC storage and shelving. Managing all devices and servers in professional style, it is functional to access all the way of racks.

It is easy to maintain. All 4 post racks can be bayed side by side.

Can also be used as a device console or device storage rack.

DEPTH = 820 mm

Depth 940 racks match all features defined in the previous pages for RELAYrack.

It is used for of deeper servers and devices

DEPTH = 940 mm

Vertical cable management panels with cover

Part number	Product definition	WxDxH (mm)
M44 ORG26 RLY	26U Vertical cable management panel 1ea. W=135 mm	135x250x1292
M44 ORG36 RLY	36U Vertical cable management panel 1ea. W=135 mm	135x250x1736
M44 ORG42 RLY	42U Vertical cable management panel 1ea. W=135 mm	135x250x2003
M44 ORG48 RLY	48U Vertical cable management panel 1ea. W=135 mm	135x250x2270
M44 ORG26 RLY G	26U Vertical cable management panel 1ea. W=260 mm	260x250x1292
M44 ORG36 RLY G	36U Vertical cable management panel 1ea. W=260 mm	260x250x1736
M44 ORG42 RLY G	42U Vertical cable management panel 1ea. W=260 mm	260x250x2003
M44 ORG48 RLY G	48U Vertical cable management panel 1ea. W=260 mm	260x250x2270

TECHNICAL SPECIFICATIONS

TESTS AND CERTIFICATIONS

Environment

EN61587-1/4.2, IEC60068-2-1, IEC60068-2-2, IEC60068-2-30, IEC60917 and IEC60297

Industrial environment

EN61587-1/4.3, IEC60068-2-42, IEC60068-2-43 and IEC60068-2-49, IEC60068-2-1, IEC60917 and IEC60297

Static mechanical structure load test

EN61587-1 / 5.2.1, IEC60917 and IEC60297

Static mechanical structure stability

EN61587-1 / 5.2.2, IEC60917 and IEC60297

Dynamic load, vibration and mechanical stroke

EN61587-1 / 5.3.1, EN61587-1 / 5.3.3, IEC60917, IEC60297, IEC62208

Grounding continuity

EN61587-1 / 6.2, IEC60917 and IEC60297

Fire and flame resistance

EN61587-1 / 6.3, IEC60917 and IEC60297

Corrosion

ISO9227 and ASTM B 117-85, IEC60917 and IEC60297

Transportation

ETS300019-1-2 Class2.3

Storage

ETS300019-1-1 Class1.2

Security

EN60950_LVD

PURCHASED PRODUCT CERTIFICATIONS

Sheet steel

DIN EN 10130 – 99 Ereğli DC- 01 6112, 7122, RoHS

Electrostatic powder coating

ISO 9001, ISO 2178, ISO 2813, ISO 6272, ISO 8130-5, ISO 8130-3, RoHS

Fixings

DIN 7985, DIN 965, DIN 7981, DIN 934, DIN 985, DIN 933, RoHS

Castors

TS EN 12530, TS EN 12532, RoHS

KEY FEATURES

Main framework is of a structure which increase the mechanical resistance with maximal performance, manufactured Omega style profile system, connected to top bracket units and bottom base units with heavy duty fixing hardware ensuring framework stability. Manufactured and tested to provide axial (x, y, z) resistance that meets EN 61587-1 / 5.2.1 and 5.2.2, external impact resistance that meets EN 61587-1 / 5.3.3.

With optional top covers, the system can give the appearance of a closet, as well as offering resistance against falling dust on to installed equipment.

Designed for use a minimally dusty, climatized, and security controlled environment, the system provides a very cost efficient solution.

The system is shipped in flat pack with a superior transport cost scheme.

Levelling feet are standard for stability. The cabinet shall meet standards EN 61587-1, IEC 60917, IEC 60297 and RoHS compliant, shall be Gost and TSE certified.

Custom number

85380000 / 85381000 / 853710990019

Packs of (ea.)

1

Shipping structure

Flat pack

Mounting surface

Stand alone

Certification on product

TSE, Gost

Surface finish

Electrostatic powder coated c/with surface treatment , 80 +/- 5 micron paint thickness and tested according to IEC 60068-2-1, 2-2, 2-30, 2-42, 2-43, 2-49, 2-11

STANDART PRODUCT**Standart colour**

RAL 7035, RAL 9005

FRAMEWORK**Top and bottom base units**

Solid metal 2,5 mm

Horizontal support on base and top

Solid metal 2,5 mm

Extention units (D=180 mm D=300 mm)

Solid metal 2,5 mm

Uprights - frame

Solid metal, 1,5 mm

Uprights construction

Tightly fixed into top brackets and bottom base units
6 times folded, total 7 bend surfaces



For CUSTOMIZED PRODUCTS rather than above options, please contact sales department.